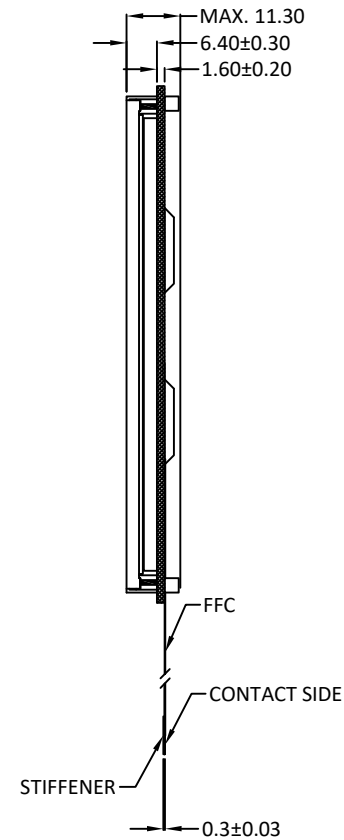
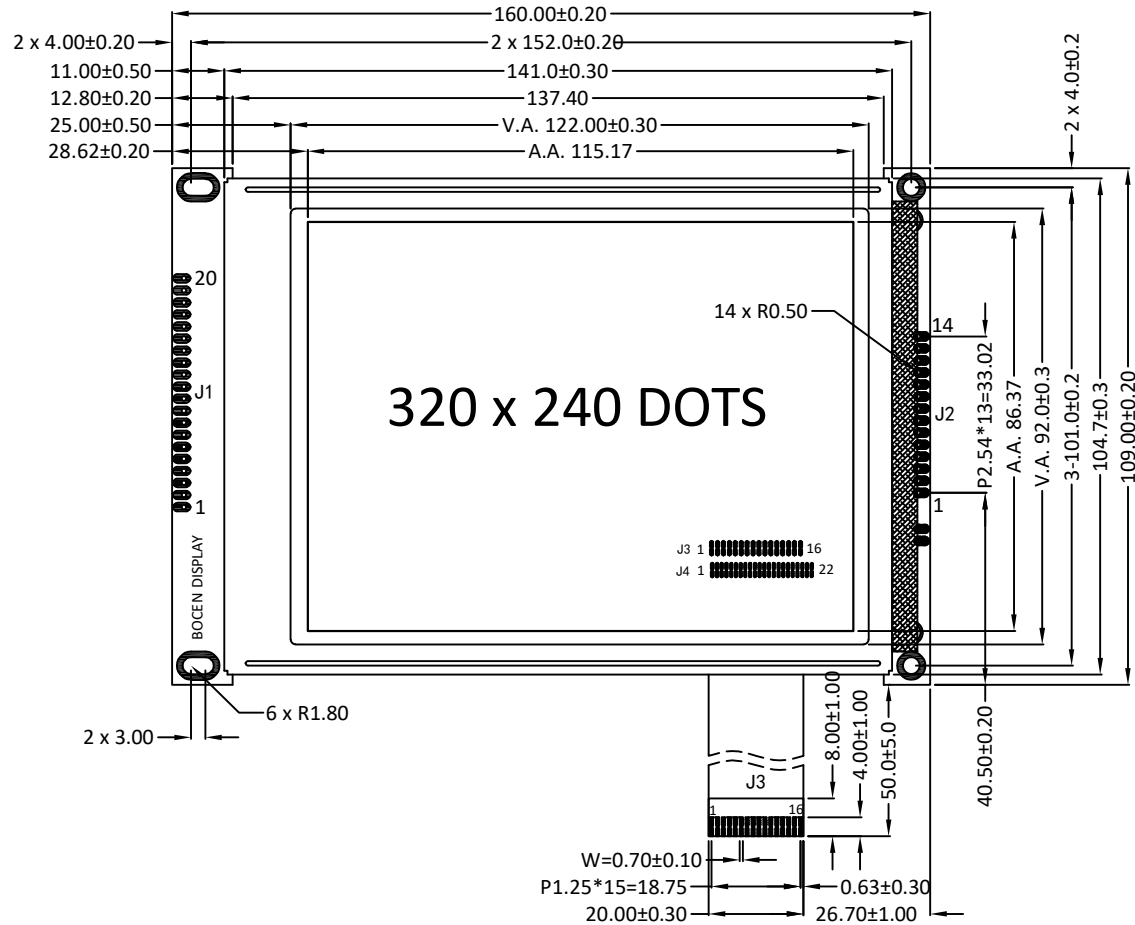


Version

1.0

2021-10-17

New Issue



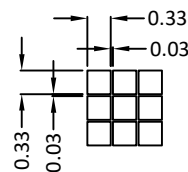
## J2 &amp; J3

PIN	SYMBOL
1	D0
2	D1
3	D2
4	D3
5	/DISPOFF
6	FLM
7	M
8	LP
9	CP
10	VDD
11	VSS
12	VEE
13	VO
14	FG

## SPECIFICATIONS:

- |                           |  |
|---------------------------|--|
| 1. DISPLAY TYPE:          | FSTN / POSITIVE (GRAY) / TRANSFLECTIVE |
| 2. DRIVE IC:              | RA8835 or EQV.                         |
| 3. UNSPECIFIED TOLERANCE: | ±0.3 MM                                |
| 4. OPERATING VOLTAGE:     | VDD = 5.0V                             |
| 5. OPERATING TEMPERATURE: | -20 ~ 70°C                             |
| 6. STORAGE TEMPERATURE:   | -30 ~ 80°C                             |
| 7. DRIVE MODE:            | 1/240 DUTY, 1/16 BIAS                  |
| 8. VIEWING ANGLE:         | 6 O'CLOCK                              |
| 9. BACKLIGHT:             | WHITE LED, VF = 5.0V                   |
| 10. CUSTOMER PART NO.:    | BOCEN STANDARD PRODUCT                 |

## DOT SIZE:



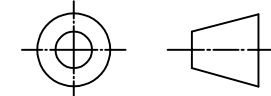
## BOCEN DISPLAY TECHNOLOGY CO., LTD.

DESIGNED BY: Shawn

BB320240-01

VERSION: 1.0

CHECKED BY: William



NO.: 1 OF 1

APPROVED BY: Rio

UNIT: mm

Website: <http://www.bocentech.com>

DATE: 2021-10-17