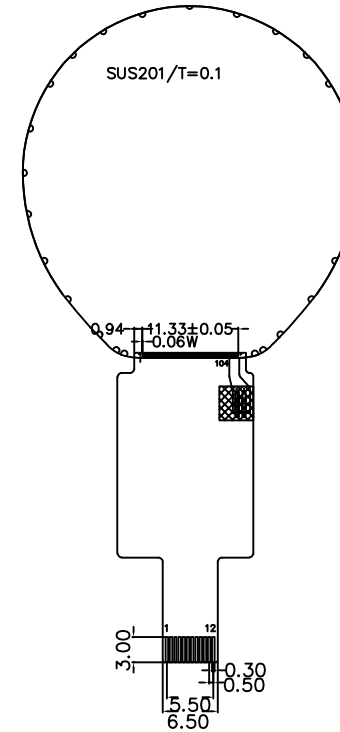
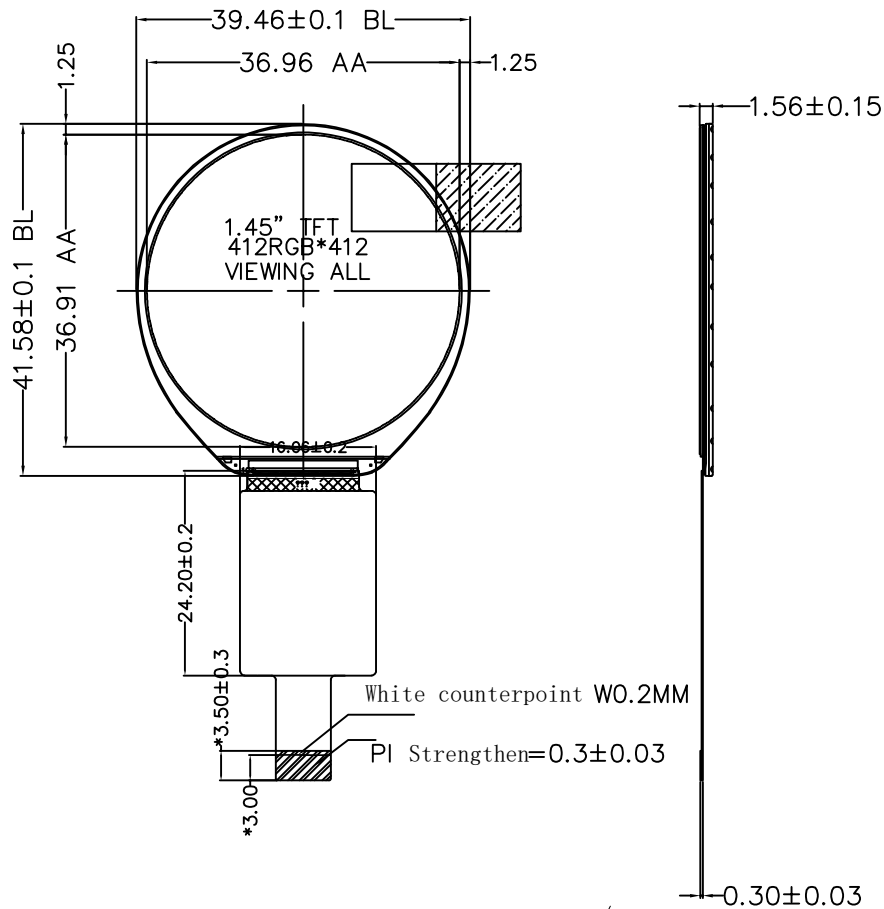


Version

1.0

2021-07-15

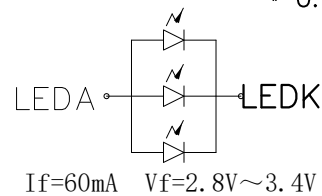
New Issue



PIN	SYMBOL
1	DON
2	DOP
3	GND
4	CLKN
5	CLKP
6	GND
7	VDD
8	IOVCC
9	RESET
10	GND
11	LEDK
12	LEDA

SPECIFICATIONS:

- | | |
|---------------------------|------------------------|
| 1. DRIVE IC: | SPD2010 |
| 2. DISPLAY TYPE: | 1.45" / IPS |
| 3. OPERATING TEMPERATURE: | -20 ~ 70°C |
| 4. STORAGE TEMPERATURE: | -30 ~ 80°C |
| 5. VIEWING ANGLE: | ALL |
| 6. BACKLIGHT: | 3 LED/PARALLEL/60mA |
| 7. CUSTOMER PART NO.: | BOCEN STANDARD PRODUCT |



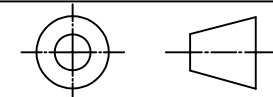
BOCEN DISPLAY TECHNOLOGY CO., LTD.

DESIGNED BY: Shawn

BF145P12-01

VERSION: 1.0

CHECKED BY: William



NO.: 1 OF 1

APPROVED BY: Rio

UNIT: mm

Website: <http://www.bocentech.com>

DATE: 2021-07-15