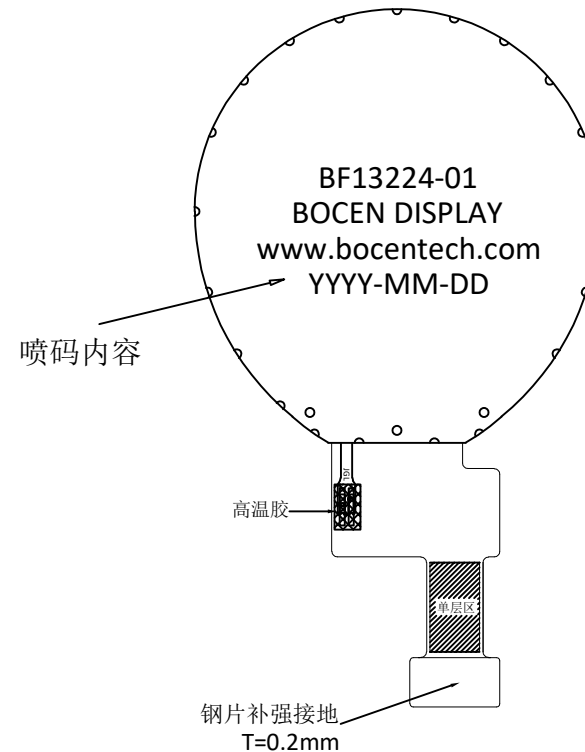
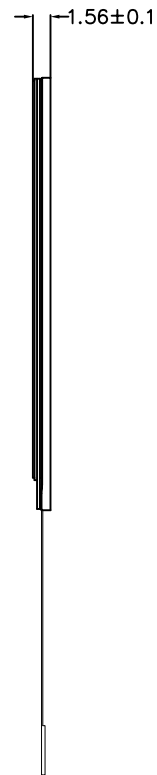
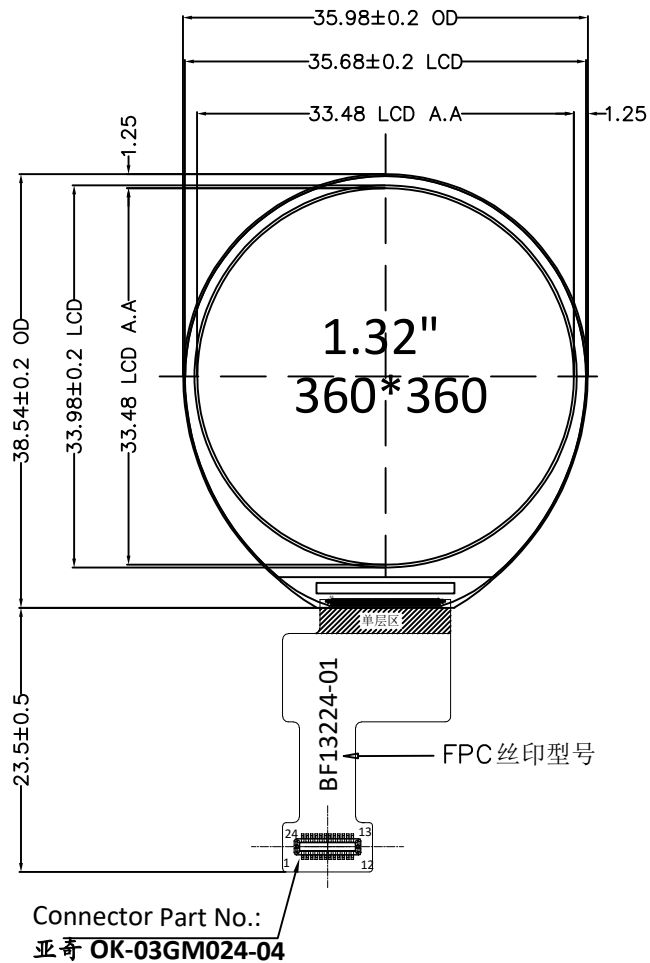


Version 1.0 2021-1-17 New Issue

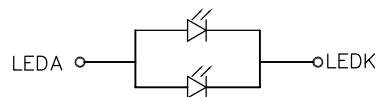


INTERFACE	
1	DB1
2	VDD
3	VDDIO1.8
4	GND
5	TE
6	SCL(D/CX)
7	CS
8	VDDIO1.8
9	GND
10	LEDA
11	LEDK
12	GND
13	GND
14	GND
15	GND
16	GND
17	GND
18	GND
19	RESRT
20	GND
21	GND
22	SDA
23	DB3
24	DB2

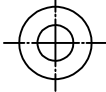
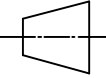
SPECIFICATIONS:

- 1. DISPLAY TYPE: 1.32" TFT / IPS / 360x360
- 2. DRIVE IC: GC9C01 or EQV.
- 3. OPERATING TEMPERATURE: -20 ~ 70°C
- 4. STORAGE TEMPERATURE: -30 ~ 80°C
- 5. VIEWING ANGLE: All
- 6. BACKLIGHT: 2LEDs / Parallel /40mA
- 7. CUSTOMER PART NO.: BOCEN STANDARD PRODUCT

LED CIRCUIT DIAGRAM:



BOCEN DISPLAY TECHNOLOGY CO., LTD.

DESIGNED BY: Shawn	BF13224-01	VERSION: 1.0
CHECKED BY: William	 	NO.: 1 OF 1
APPROVED BY: Rio		UNIT: mm
Website: http://www.bocentech.com		DATE: 2021-1-17