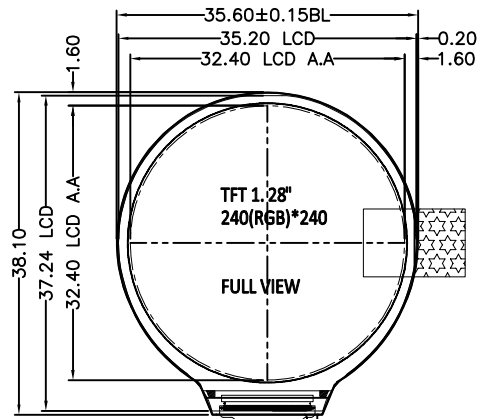
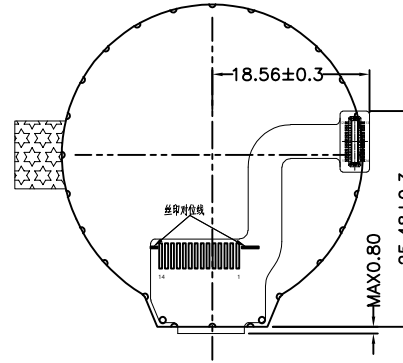
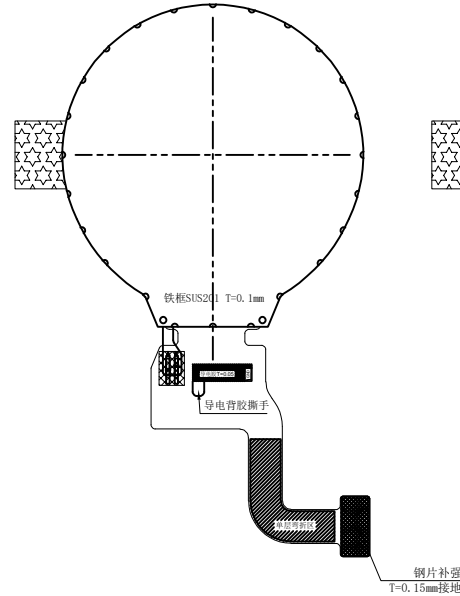
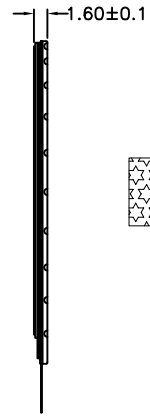


Version

1.0 2021-06-28 New Issue



亚奇: OK-03M024-04

FPC弯折参考图
FPC展开出货

4-LINE SPI

INTERFACE

1	S5
2	S4
3	S3
4	S2
5	S1
6	GND
7	LCM_SCK
8	LCM_SI
9	NC

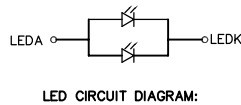
14PIN焊盘定义

INTERFACE		INTERFACE	
1	GND	10	LEDA
2	S12	11	VDD_3V3
3	S11	12	LEDK
4	S10	13	LCM_CS
5	S9	14	LCM_TE
6	S8	15	LCM_DC
7	S7	16	LCM_RES
8	S6	17	NC
9	S5	18	S6
10	S4	19	S7
11	S3	20	S8
12	S2	21	S9
13	S1	22	S10
14	GND	23	S11
		24	S12

4线1通道

SPECIFICATIONS:

- DRIVE IC: GC9A01 or EQV.
- OPERATING TEMPERATURE: -20 ~ 70°C
- STORAGE TEMPERATURE: -30 ~ 80°C
- VIEWING ANGLE: All
- BACKLIGHT: 2LEDs / Parallel /40mA
- CUSTOMER PART NO.: BOCEN STANDARD PRODUCT



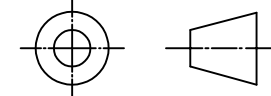
BOCEN DISPLAY TECHNOLOGY CO., LTD.

DESIGNED BY: Shawn

BF12824-01

VERSION: 1.0

CHECKED BY: William



NO.: 1 OF 1

APPROVED BY: Rio

UNIT: mm

Website: <http://www.bocentech.com>

DATE: 2021-06-28