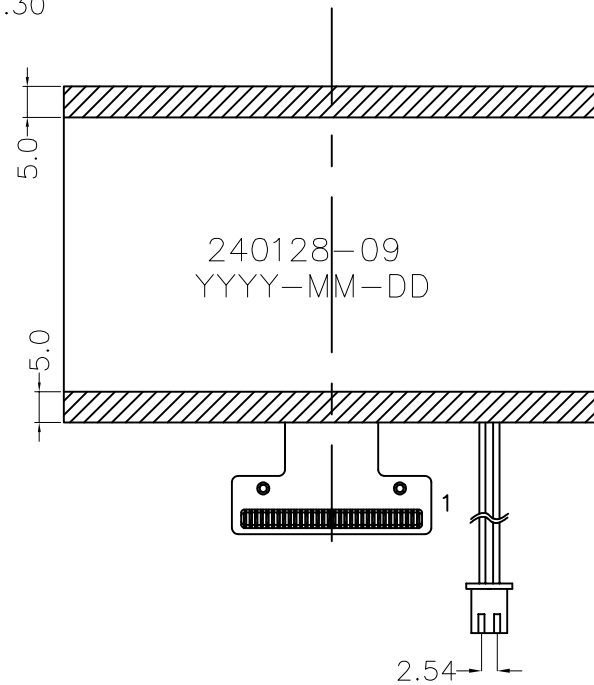
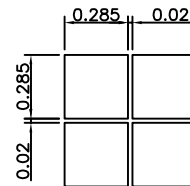
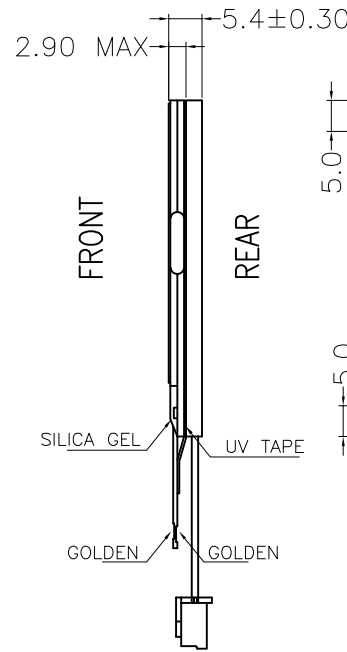
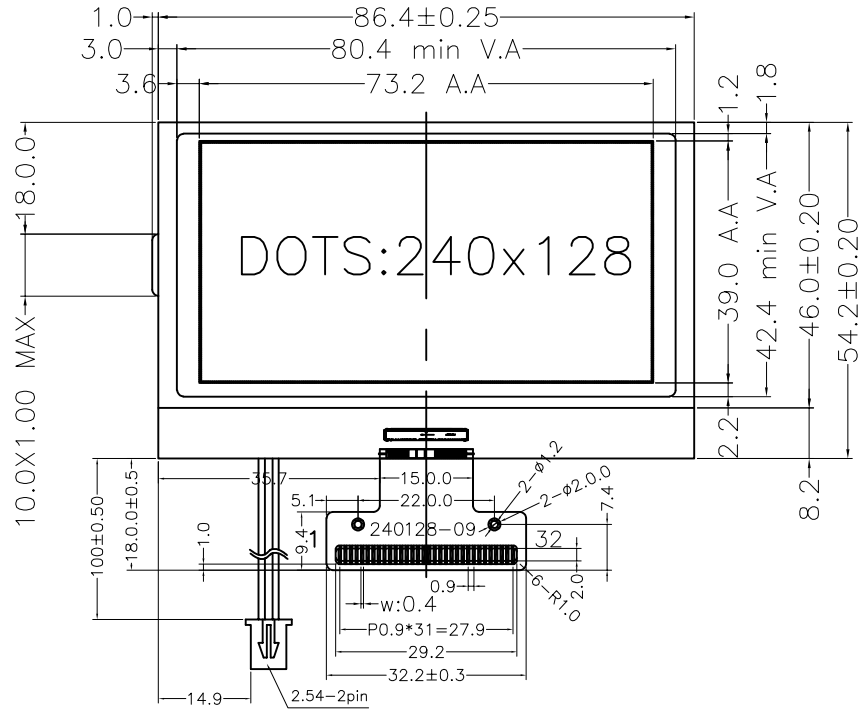
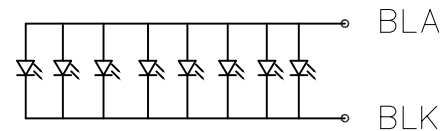


Version

1.0 2016-10-18 New Issue



PIN	NAME
1	NC
2	NC
3	VLCD/OUT
4	VLCD/IN
5	VS+
6	VS-
7	VB0-
8	VB1-
9	VB1+
10	VB0+
11	VDD23
12	VDD
13	VSS
14	TESET4
15	BM1
16	BMO
17	CS1
18	CS0
19	A0
20	RD(E)
21	WR(R/W)
22	RST
23	D0
24	D1
25	D2
26	D3
27	D4
28	D5
29	D6
30	D7
31	NC
32	NC



**SPECIFICATIONS:**

- 1. DISPLAY TYPE: FSTN / POSITIVE / TRANSFLECTIVE
- 2. DRIVE IC: UC1698U
- 3. OPERATING VOLTAGE: Vdd=3.3V; Vlcd=16.0V
- 4. OPERATING TEMPERATURE: -20°C ~ +70°C
- 5. STORAGE TEMPERATURE: -30°C ~+ 80°C
- 6. DRIVE MODE: 1/128 DUTY, 1/12 BIAS
- 7. VIEWING ANGLE: 6 O'CLOCK
- 8. BACKLIGHT: 8pcs WHITE LED 3.0V,120mA
- 9. CUSTOMER PART NO.: BOCEN STANDARD PRODUCT

**BOCEN DISPLAY TECHNOLOGY CO., LTD.**

DESIGNED BY: Sylar	<b>BG240128-09</b>	VERSION: 1.0
CHECKED BY: William		NO.: 1 OF 1
APPROVED BY: Rio		UNIT: mm
Website: <a href="http://www.bocentech.com">http://www.bocentech.com</a>		DATE: 2016-10-18