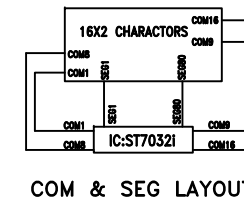
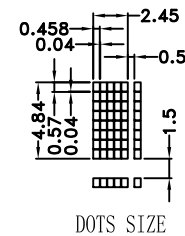
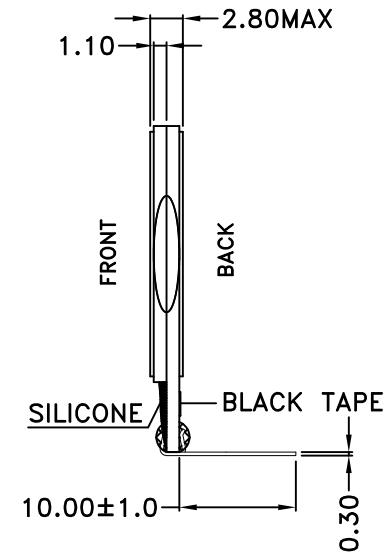
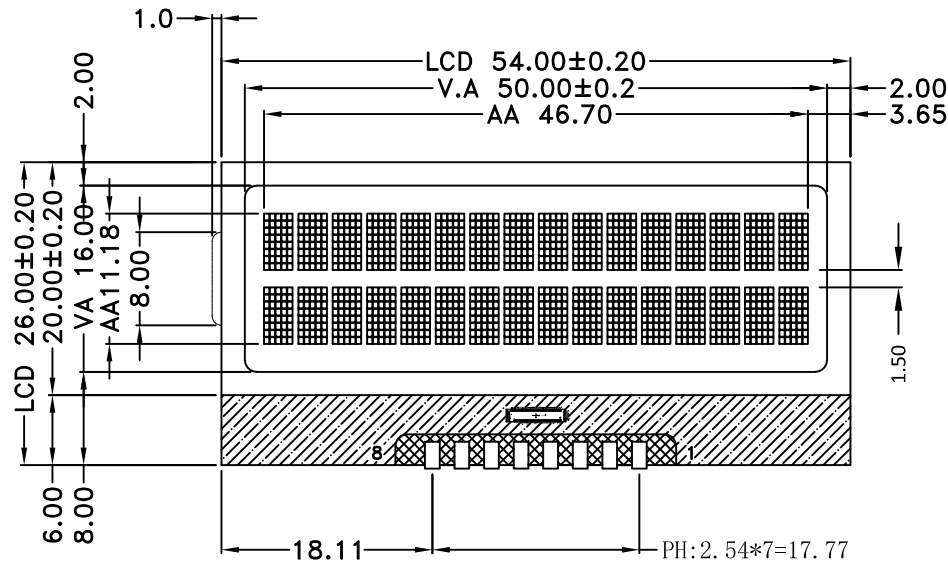


Version

1.0

2016-04-13

New Issue



PIN	SYMBOL
1	XRESET
2	DB6(SCL)
3	DB7(SDA)
4	VSS
5	VDD
6	C1+
7	C1-
8	VOUT

SPECIFICATIONS:

- DISPLAY TYPE: FSTN / BLACK / NEGATIVE/ TRANSMISSIVE
- DRIVE IC: ST7032I
- OPERATING VOLTAGE: $V_{op}=5.0V$; $V_{dd}=3.0V$
- OPERATING TEMPERATURE: $0^{\circ}C \sim +50^{\circ}C$
- STORAGE TEMPERATURE: $-10^{\circ}C \sim +60^{\circ}C$
- DRIVE MODE: 1/16 DUTY, 1/5 BIAS
- VIEWING ANGLE: 12 O'CLOCK
- CUSTOMER PART NO.: BOCEN STANDARD PRODUCT

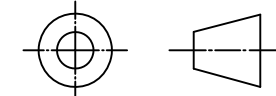
BOCEN DISPLAY TECHNOLOGY CO., LTD.

DESIGNED BY: Shawn

BG1602-21

VERSION: 1.0

CHECKED BY: William



NO.: 1 OF 3

APPROVED BY: Rio

UNIT: mm

Website: <http://www.bocentech.com>

DATE: 2016-04-13