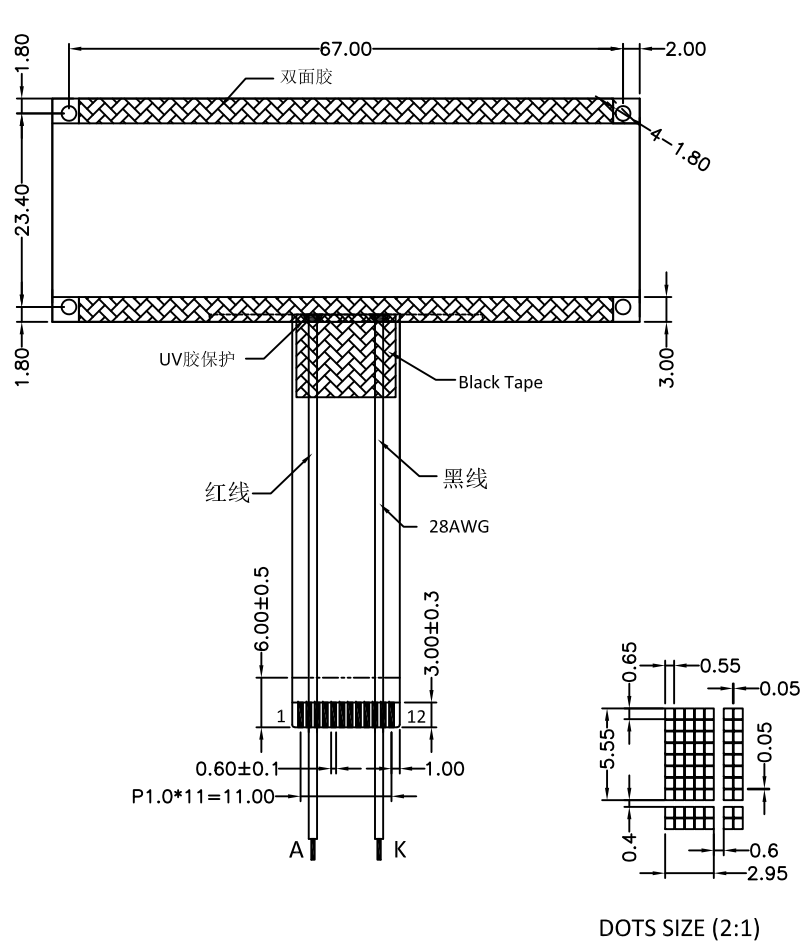
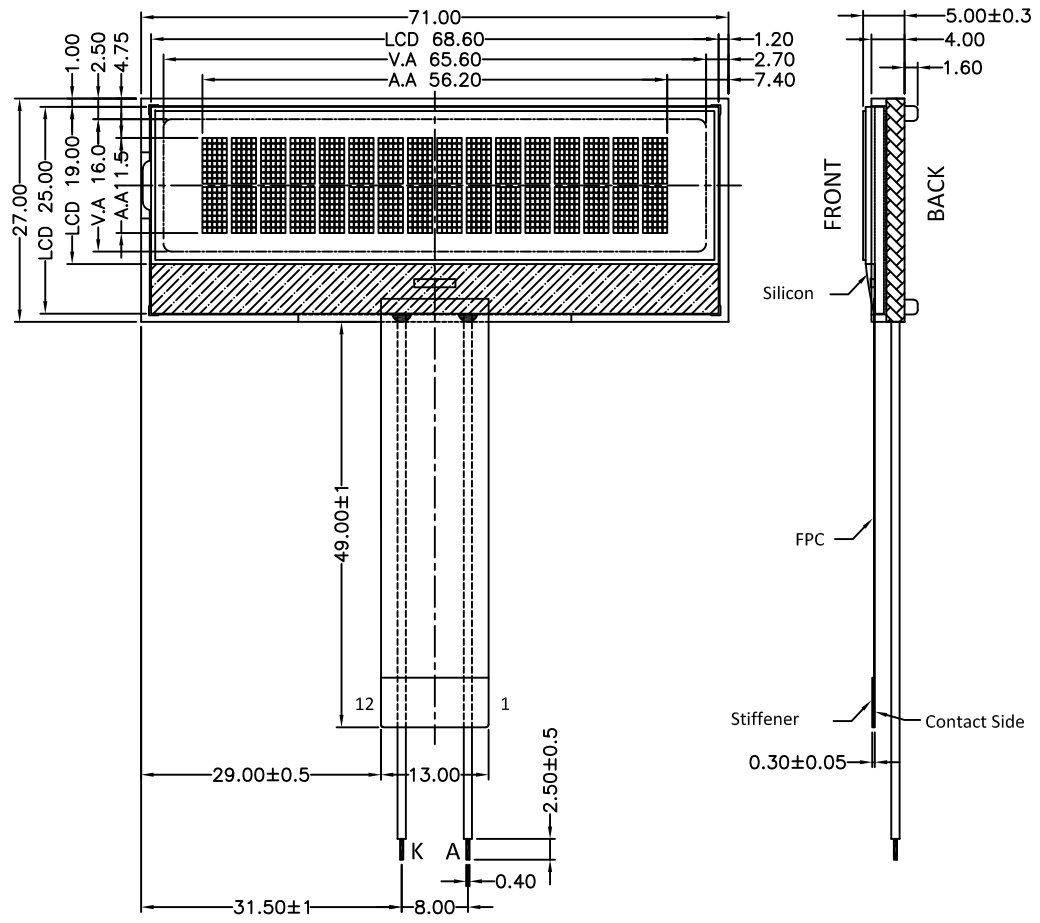


Version	1.0	2016-11-05	New Issue				
---------	-----	------------	-----------	--	--	--	--

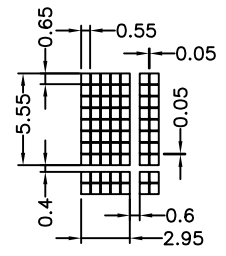


PIN	SYMBOL
1	XRESTE
2	DB6
3	DB7
4	VSS
5	DIRC
6	SHL
7	VDD
8	VIN
9	VOUT
10	CAP1P
11	CAP1N
12	NC

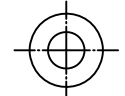
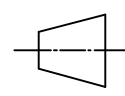
SPECIFICATIONS:

- 1. DISPLAY TYPE: FSTN / BLACK / NEGATIVE / TRANSMISSIVE
- 2. DRIVE IC: SPLC792A
- 3. OPERATING VOLTAGE: Vlcd=5.6V; Vdd=3.3V
- 4. OPERATING TEMPERATURE: 0°C ~ +50°C
- 5. STORAGE TEMPERATURE: -10°C ~+ 60°C
- 6. DRIVE MODE: 1/16 DUTY, 1/5 BIAS
- 8. BACKLIGHT: 2PCS WHITE LED IF=30mA; VF=3.0V
- 7. VIEWING ANGLE: 12 O'CLOCK
- 9. CUSTOMER PART NO.: BOCEN STANDARD PRODUCT

DOTS SIZE (2:1)



BOCEN DISPLAY TECHNOLOGY CO., LTD.

DESIGNED BY: Shawn	BG1602-05	VERSION: 1.0
CHECKED BY: William		NO.: 1 OF 1
APPROVED BY: Rio		UNIT: mm
Website: http://www.bocentech.com		DATE: 2016-11-05