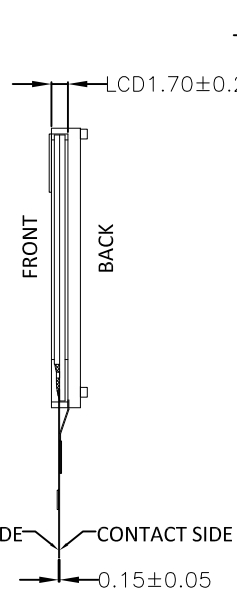
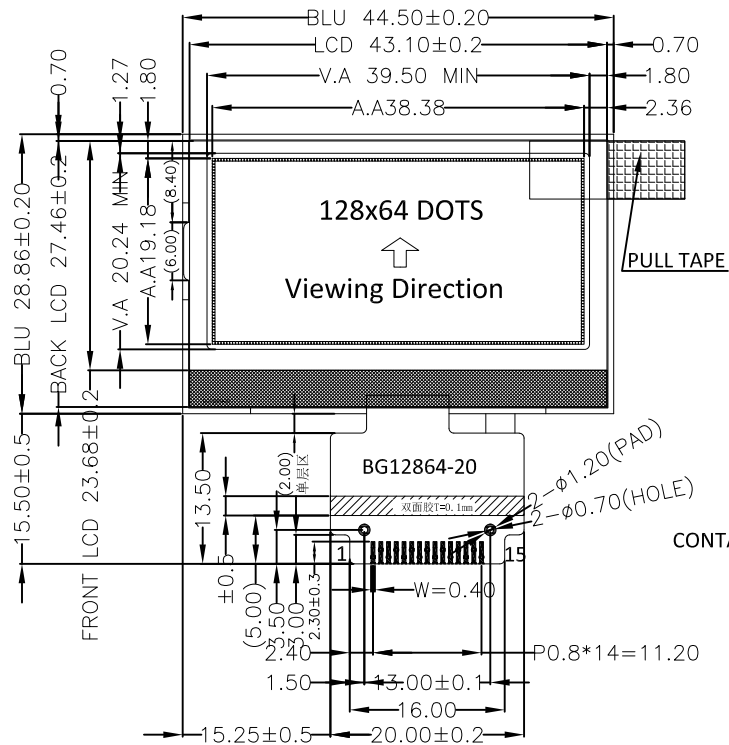


Version

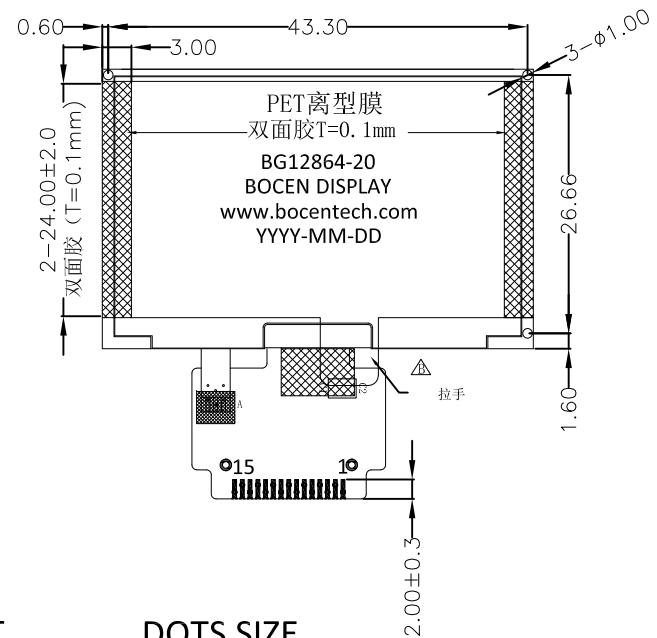
1.0

2022-8-11

New Issue



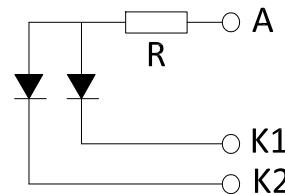
3.00±0.1
(WITHOUT D.S.T)



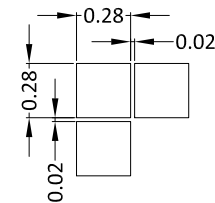
PIN	SYMBOL
1	LEDK1
2	LEDK2
3	LEDA
4	VSS
5	VCC
6	VCC
7	VSS
8	RES
9	SCK
10	SDA
11	D/C(RS)
12	CS
13	ID1(VCC)
14	ID2(VCC)
15	VSS

SPECIFICATIONS:

- | | |
|---------------------------|---|
| 1. DISPLAY TYPE: | FSTN / POSITIVE / TRANSFLECTIVE |
| 2. DRIVE IC: | ST7567A or EQV. |
| 3. CONNECTOR: | FLEX CABLE |
| 4. OPERATING VOLTAGE: | VOP = 8.8V, VDD = 3.0V |
| 5. OPERATING TEMPERATURE: | -20 ~ 70°C |
| 6. STORAGE TEMPERATURE: | -30 ~ 80°C |
| 7. DRIVE MODE: | 1/64 DUTY, 1/9 BIAS |
| 8. VIEWING ANGLE: | 6 O'CLOCK |
| 9. BACKLIGHT: | 2 PCS WHITE LED, Vf = 3.0±0.2V, If = 30mA |
| 10. CUSTOMER PART NO.: | BOCCEN STANDARD PRODUCT |

BACKLIGHT CIRCUIT
2PCS WHITE LEDS

DOTS SIZE



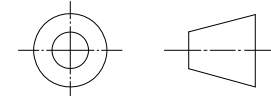
BOCCEN DISPLAY TECHNOLOGY CO., LTD.

DESIGNED BY: David

BG12864-20

VERSION: 1.0

CHECKED BY: William



NO.: 1 OF 1

APPROVED BY: Rio

UNIT: mm

Website: <http://www.bocentech.com>

DATE: 2022-8-11