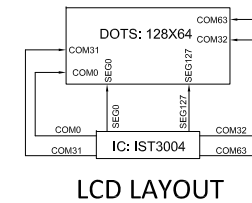
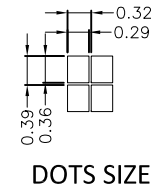
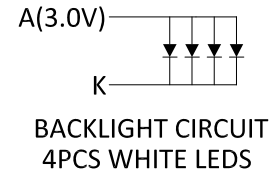
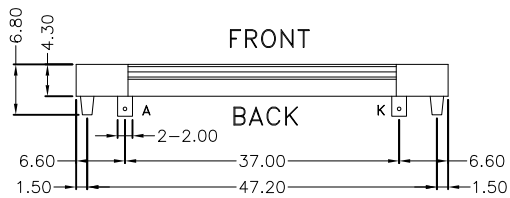
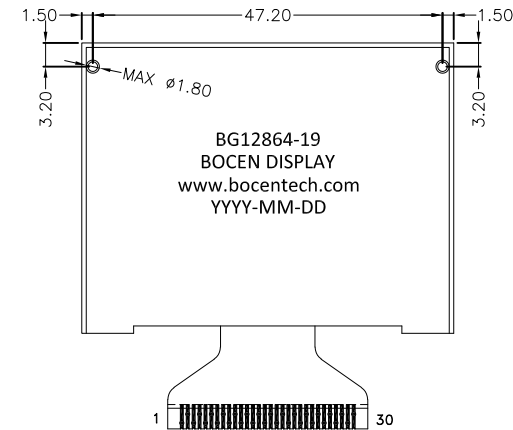
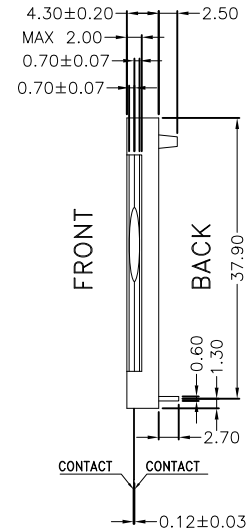
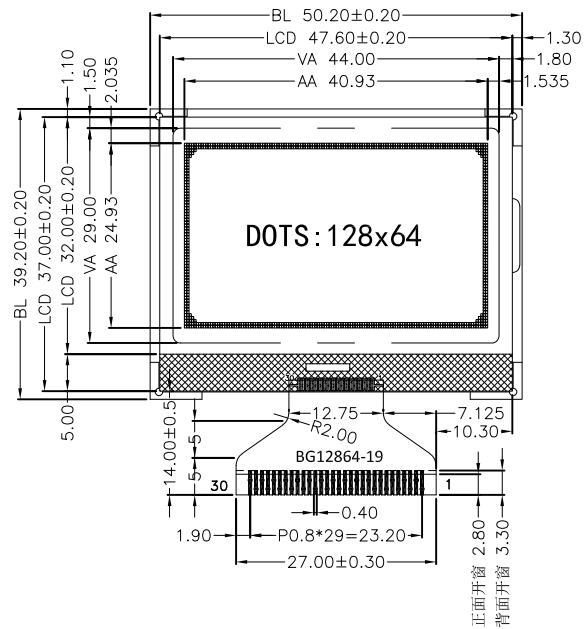


Version

1.0

2016-4-26

New Issue



PIN	SYMBOL
1	ESD
2	CS1B
3	RST
4	AO
5	/WR(R/W)
6	/RD(E)
7	D0
8	D1
9	D2
10	D3
11	D4
12	D5
13	D6
14	D7
15	VDD
16	VSS
17	VOUT
18	CAP3+
19	CAP1-
20	CAP1+
21	CAP2+
22	CAP2-
23	V4
24	V3
25	V2
26	V1
27	V0
28	C86
29	PSB
30	ESD

## SPECIFICATIONS:

- |                           |   |
|---------------------------|---|
| 1. DISPLAY TYPE:          | FSTN / POSITIVE / TRANSMISSIVE            |
| 2. DRIVE IC:              | IST3004 or EQV.                           |
| 3. CONNECTOR:             | FLEX CABLE                                |
| 4. OPERATING VOLTAGE:     | VOP = 9.0V, VDD = 3.0V                    |
| 5. OPERATING TEMPERATURE: | -10 ~ 60°C                                |
| 6. STORAGE TEMPERATURE:   | -20 ~ 70°C                                |
| 7. DRIVE MODE:            | 1/64 DUTY, 1/9 BIAS                       |
| 8. VIEWING ANGLE:         | 6 O'CLOCK                                 |
| 9. BACKLIGHT:             | 4 PCS WHITE LED, Vf = 3.0±0.1V, If = 60mA |
| 10. CUSTOMER PART NO.:    | BOCEN STANDARD PRODUCT                    |

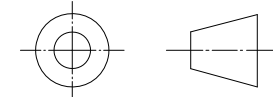
## BOCEN DISPLAY TECHNOLOGY CO., LTD.

DESIGNED BY: Shawn

BG12864-19

VERSION: 1.0

CHECKED BY: William



NO.: 1 OF 1

APPROVED BY: Rio

UNIT: mm

Website: <http://www.bocentech.com>

DATE: 2016-4-26