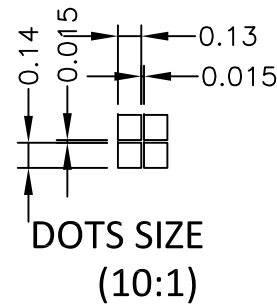
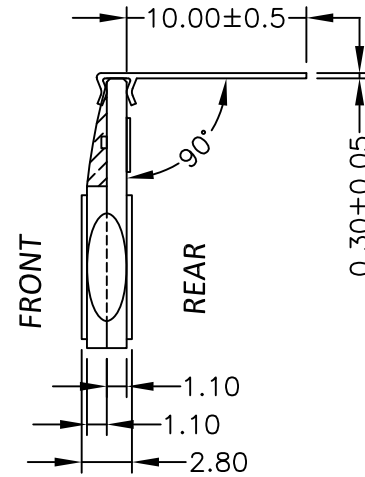
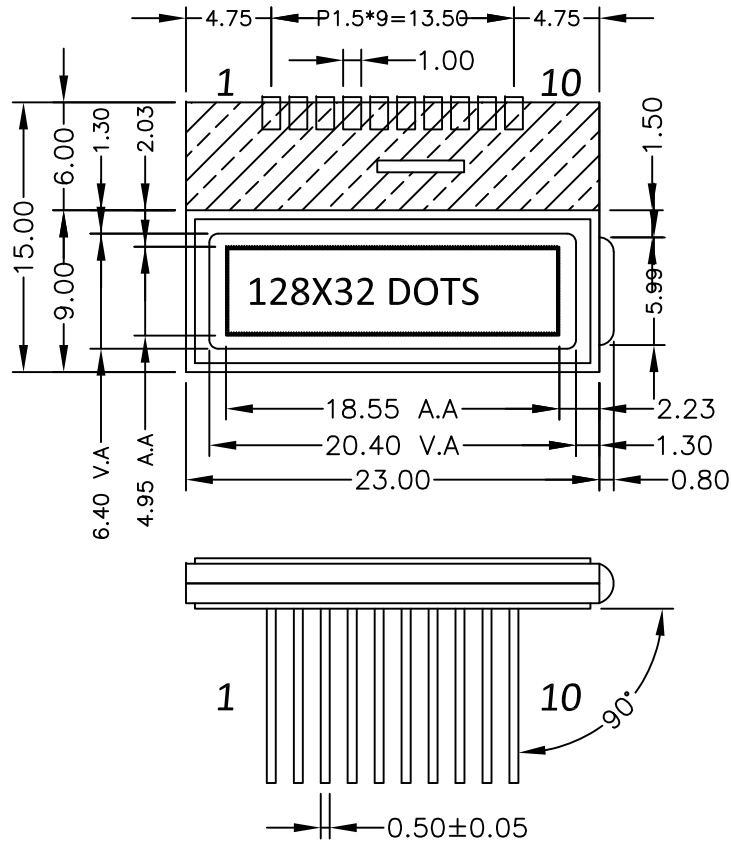


Revised Record

1.0 2017-11-03 New Issue



PIN	SYMBOL
1	CSB
2	RSTB
3	A0
4	SCL
5	SDA
6	VDD
7	VSS
8	V0
9	XV0
10	VG

**SPECIFICATIONS:**

- |                           |   |
|---------------------------|---|
| 1. DISPLAY TYPE:          | STN / BLUE/ NEGATIVE / TRANSMISSIVE           |
| 2. DRIVE IC:              | ST7567  |
| 3. OPERATING VOLTAGE:     | V <sub>lcd</sub> =6.0V; V <sub>dd</sub> =3.3V |
| 4. OPERATING TEMPERATURE: | -20°C ~ +70°C                                 |
| 5. STORAGE TEMPERATURE:   | -30°C ~+80°C                                  |
| 6. DRIVE MODE:            | 1/33DUTY, 1/6BIAS                             |
| 7. BACKLIGHT:             | None  |
| 8. VIEWING ANGLE:         | 6 O'CLOCK                                     |
| 9. CUSTOMER PART NO.:     | BOCEN STANDARD PRODUCT                        |

<b>BOCEN DISPLAY TECHNOLOGY CO., LTD.</b>		
DESIGNED BY: Shawn	<b>BG12832-20</b>	VERSION: 1.0
CHECKED BY: William		NO.: 1 OF 3
APPROVED BY: Rio		UNIT: mm
Website: <a href="http://www.bocentech.com">http://www.bocentech.com</a>		DATE: 2017-11-03