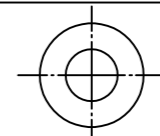
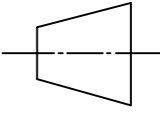


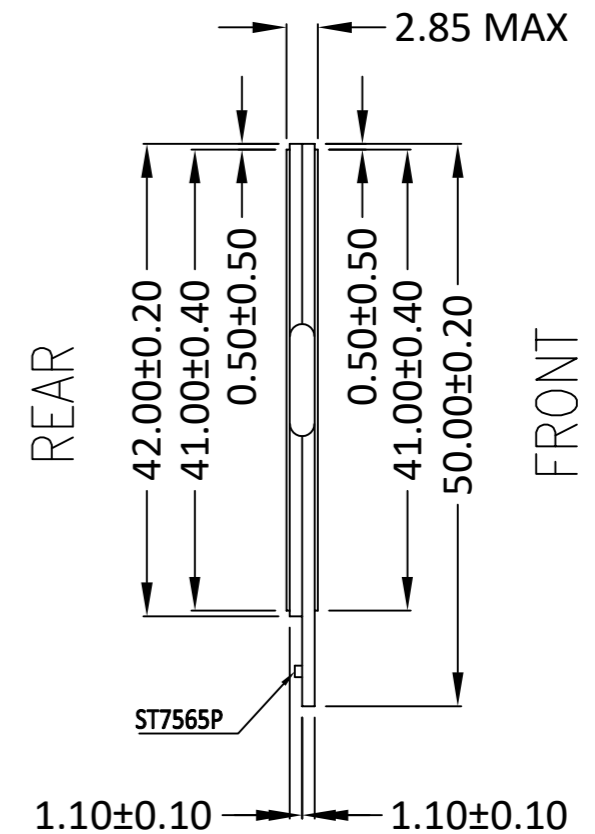
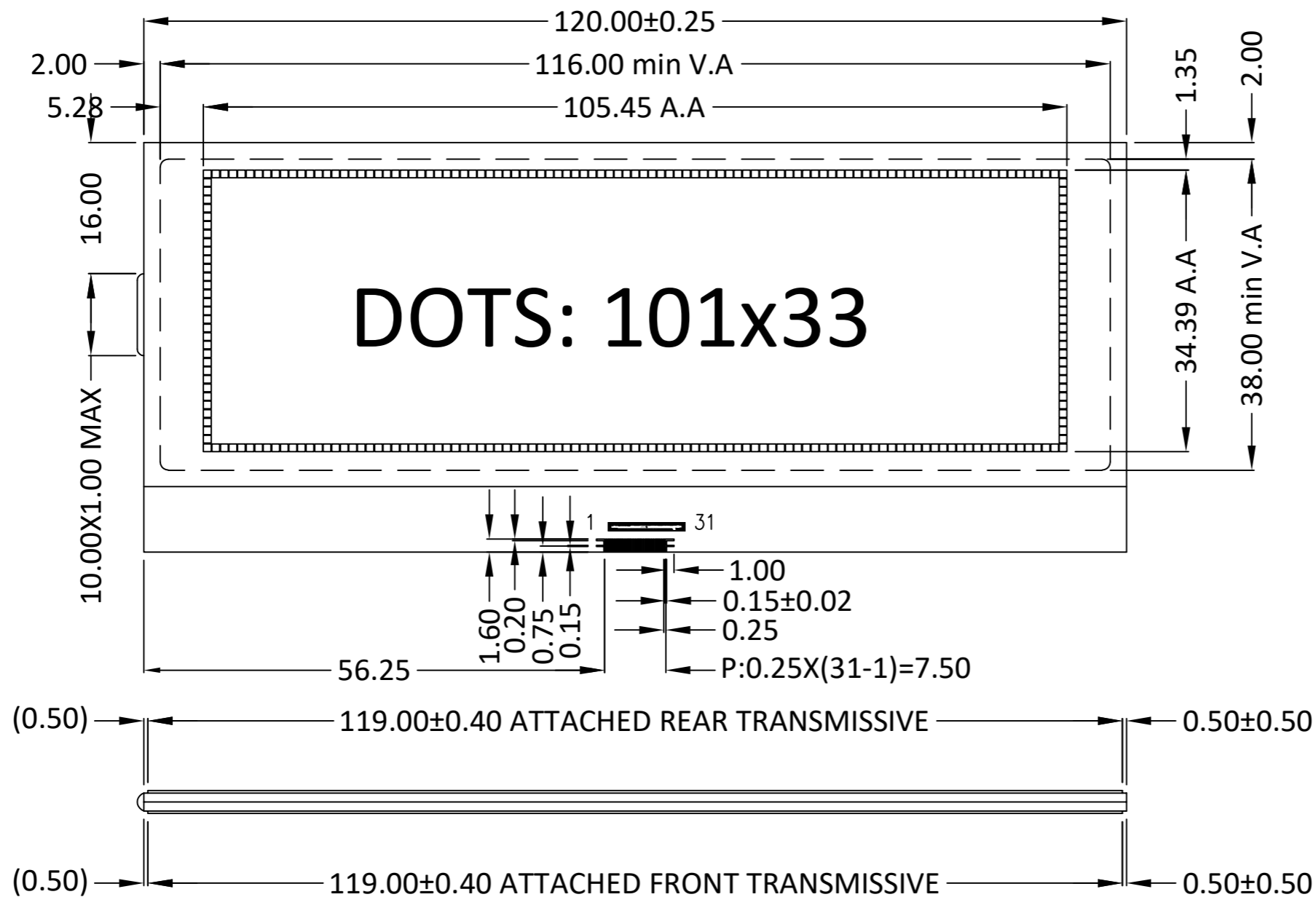
SPECIFICATIONS:

1. DISPLAY TYPE: ESTN / NEGATIVE (BLACK) / TRANSMISSIVE
2. DRIVE IC: ST7565P, 6800 OR 4-WIRE SERIAL
3. CONNECTOR: FLEX CABLE
4. OPERATING VOLTAGE: VOP = 7.2 V, VDD = 3.0V
5. OPERATING TEMPERATURE: -20 ~ 70°C
6. STORAGE TEMPERATURE: -30 ~ 80°C
7. DRIVE MODE: 1/33 DUTY, 1/6 BIAS
8. VIEWING ANGLE: 6 O'CLOCK
9. BACKLIGHT: 12 PCS RED LED, 3.0V, If ≤ 180mA
10. CUSTOMER PART NO.: BOCEN STANDARD PRODUCT

PIN	1	2	3	4	5	6	7	8	9
SYMBOL	/CS1	/RES	A0	/WR	/RD	D0	D1	D2	D3
PIN	10	11	12	13	14	15	16	17	
SYMBOL	D4	D5	D6	D7	VDD	VSS	P/S	HPM	

BOCEN DISPLAY TECHNOLOGY CO., LTD.

DESIGNED BY: Shawn	BG10133-01	VERSION: 1.0
CHECKED BY: William		NO.: 1 OF 1
APPROVED BY: Rio		UNIT: mm
Website: http://www.bocentech.com		DATE: 2022-4-22



SPECIFICATIONS:

- | | |
|---------------------------|--|
| 1. DISPLAY TYPE: | ESTN / NEGATIVE (BLACK) / TRANSMISSIVE |
| 2. DRIVE IC: | ST7565P, 6800 OR 4-WIRE SERIAL |
| 3. CONNECTOR: | FLEX CABLE |
| 4. OPERATING VOLTAGE: | VOP = 7.2 V, VDD = 3.0V |
| 5. OPERATING TEMPERATURE: | -20 ~ 70°C |
| 6. STORAGE TEMPERATURE: | -30 ~ 80°C |
| 7. DRIVE MODE: | 1/33 DUTY, 1/6 BIAS |
| 8. VIEWING ANGLE: | 6 O'CLOCK |
| 9. BACKLIGHT: | 12 PCS RED LED, 3.0V, If ≤ 180mA |
| 10. CUSTOMER PART NO.: | BOCEN STANDARD PRODUCT |

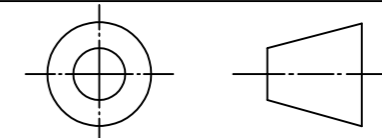
BOCEN DISPLAY TECHNOLOGY CO., LTD.

DESIGNED BY: Shawn

BG10133-01

VERSION: 1.0

CHECKED BY: William



NO.: 1 OF 1

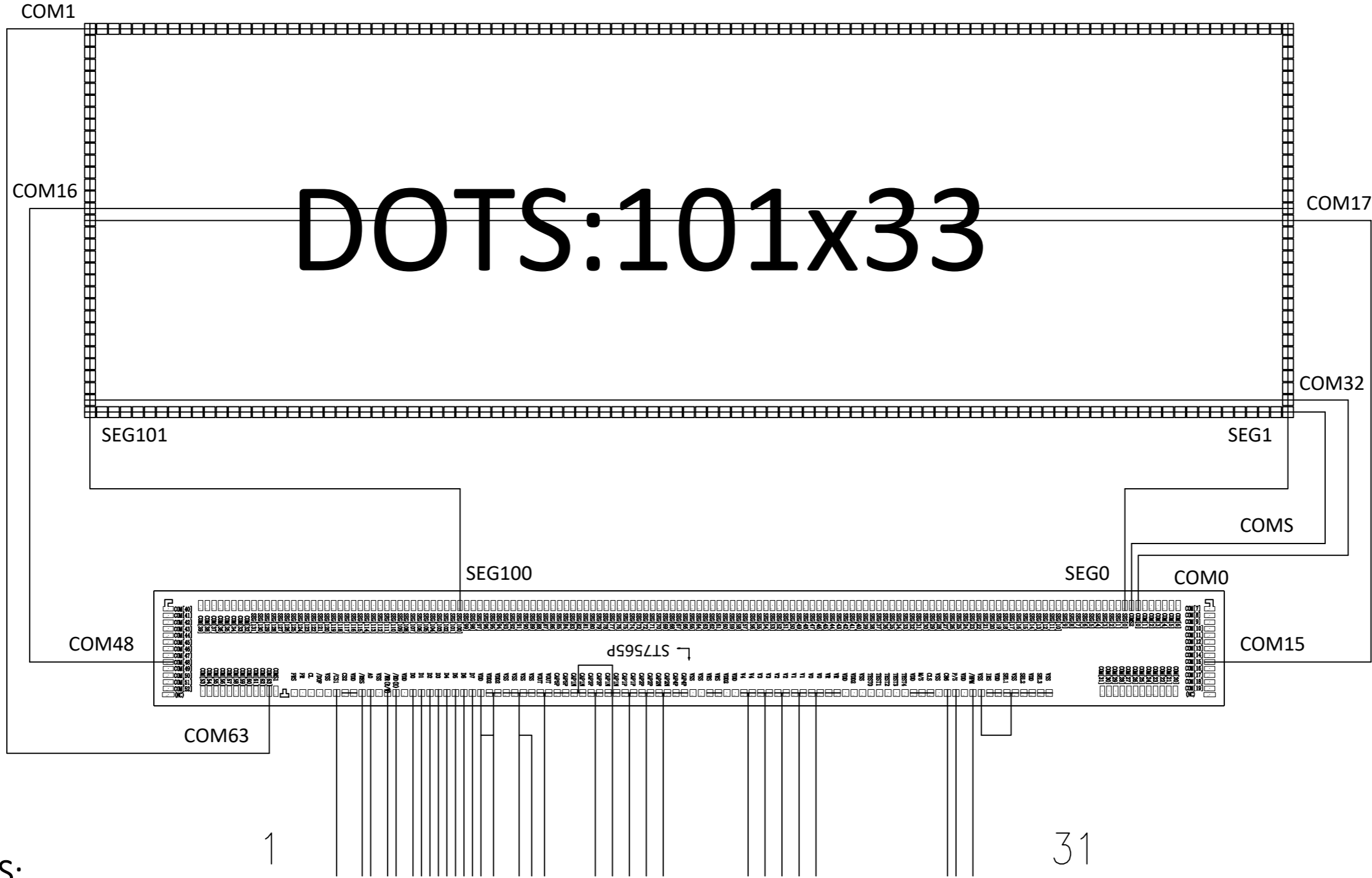
APPROVED BY: Rio

UNIT: mm

Website: <http://www.bocentech.com>

DATE: 2022-4-22

Version	1.0	2022-4-22	New Issue													



SPECIFICATIONS:

- 1. DISPLAY TYPE: ESTN / NEGATIVE (BLACK) / TRANSMISSIVE
- 2. DRIVE IC: ST7565P, 6800 OR 4-WIRE SERIAL
- 3. CONNECTOR: FLEX CABLE
- 4. OPERATING VOLTAGE: VOP = 7.2 V, VDD = 3.0V
- 5. OPERATING TEMPERATURE: -20 ~ 70°C
- 6. STORAGE TEMPERATURE: -30 ~ 80°C
- 7. DRIVE MODE: 1/33 DUTY, 1/6 BIAS
- 8. VIEWING ANGLE: 6 O'CLOCK
- 9. BACKLIGHT: 12 PCS RED LED, 3.0V, If ≤ 180mA
- 10. CUSTOMER PART NO.: BOCEN STANDARD PRODUCT

PIN	1	2	3	4	5	6	7	8	9	10	11	12	13	14	15	16
SYMBOL	/CS1	/RES	A0	/WR	/RD	D0	D1	D2	D3	D4	D5	D6	D7	VDD	VDD	VSS
PIN	17	18	19	20	21	22	23	24	25	26	27	28	29	30	31	
SYMBOL	VSS	VOUT	C3P	C1N	C1P	C2P	C2N	V4	V3	V2	V1	V0	C86	P/S	HPM	