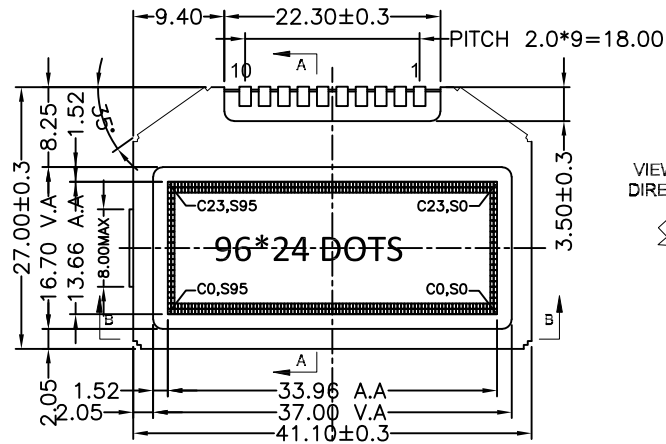
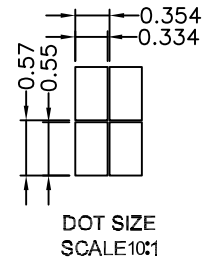
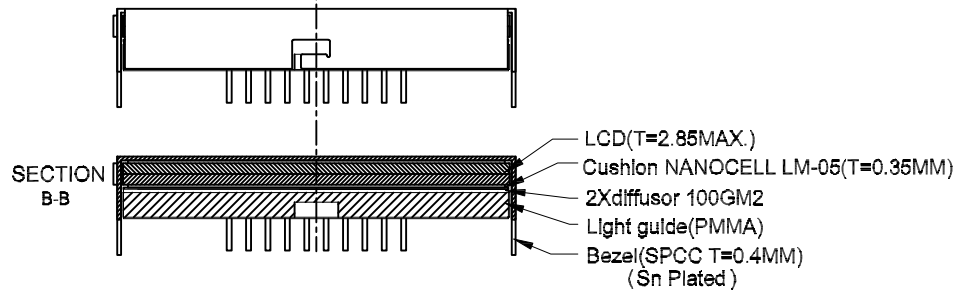
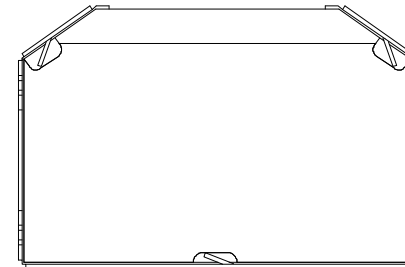
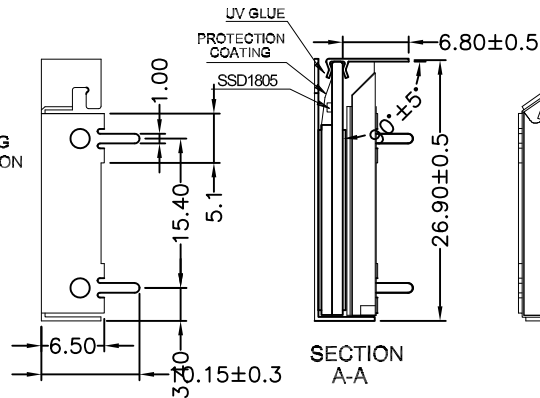


Revised Record

1.0	2018-11-13	New Issue
-----	------------	-----------



VIEWING DIRECTION

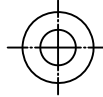
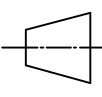


PIN	SYMBOL
1	NC
2	VOUT
3	VSS
4	VDD
5	SDA
6	SCK
7	D/C
8	/RES
9	/CS1
10	NC

SPECIFICATIONS:

1. DISPLAY TYPE: FSTN / W-B / POSITIVE / TRANSMISSIVE
2. DRIVE IC: SSD1805Z
3. OPERATING VOLTAGE: V_{lcd}=7.0V; V_{dd}=3.0V
4. OPERATING TEMPERATURE: -20°C ~ +70°C
5. STORAGE TEMPERATURE: -30°C ~ +75°C
6. DRIVE MODE: 1/24DUTY, 1/6BIAS
7. BACKLIGHT: 2PCS WHITE LED
8. VIEWING ANGLE: 12 O'CLOCK
9. CUSTOMER PART NO.: BOCEN STANDARD PRODUCT

BOCEN DISPLAY TECHNOLOGY CO., LTD.

DESIGNED BY: Shawn	BG9624-05	VERSION: 1.0
CHECKED BY: William	 	NO.: 1 OF 1
APPROVED BY: Rio		UNIT: mm
Website: http://www.bocentech.com		DATE: 2018-11-13