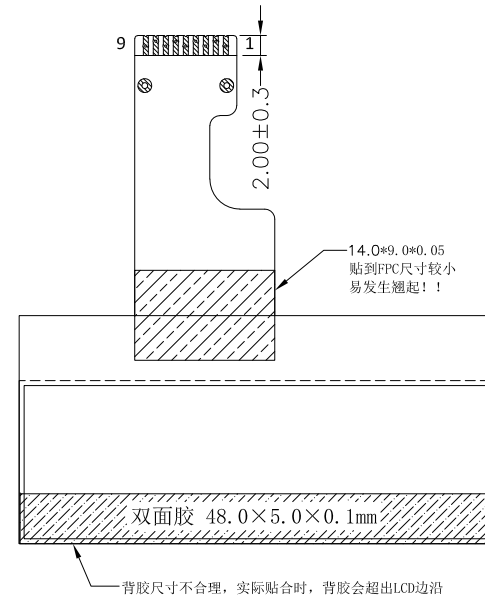
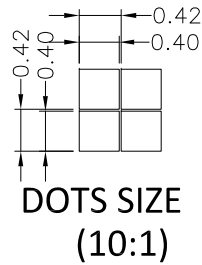
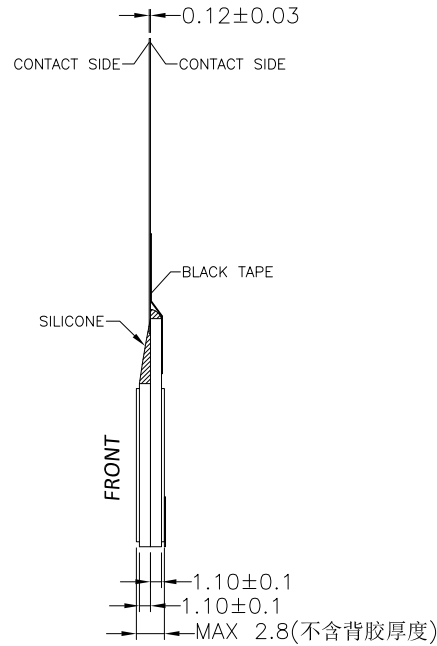
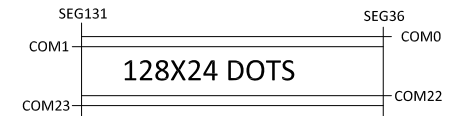


View Direction



PIN	SYMBOL
1	LEDA(NC)
2	/CS1
3	/RES
4	A0
5	SCL
6	SI
7	VDD
8	VSS
9	NC



COM & SEG LAYOUT

SPECIFICATIONS:

- | | |
|---------------------------|------------------------------|
| 1. DISPLAY TYPE: | FSTN / POSITIVE / REFLECTIVE |
| 2. DRIVE IC: | ST7567S |
| 3. OPERATING VOLTAGE: | Vlcd=9.0V; Vdd=3.0V |
| 4. OPERATING TEMPERATURE: | -20°C ~ +75°C |
| 5. STORAGE TEMPERATURE: | -30°C ~ +85°C |
| 6. DRIVE MODE: | 1/33DUTY, 1/6BIAS |
| 7. BACKLIGHT: | None |
| 8. VIEWING ANGLE: | 6 O'CLOCK |
| 9. CUSTOMER PART NO.: | BOCEN STANDARD PRODUCT |

BOCEN DISPLAY TECHNOLOGY CO., LTD.

DESIGNED BY: Shawn	BG9624-04	VERSION: 1.0
CHECKED BY: William		NO.: 1 OF 1
APPROVED BY: Rio		UNIT: mm
Website: http://www.bocentech.com		DATE: 2019-08-13