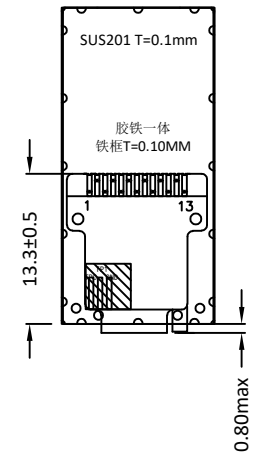
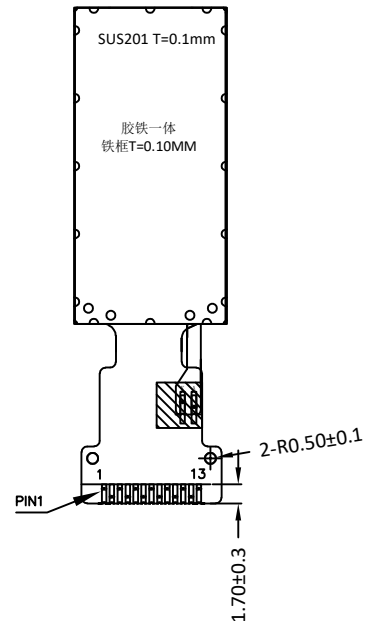
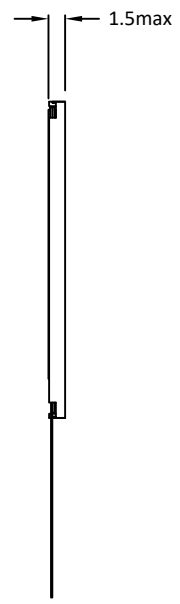
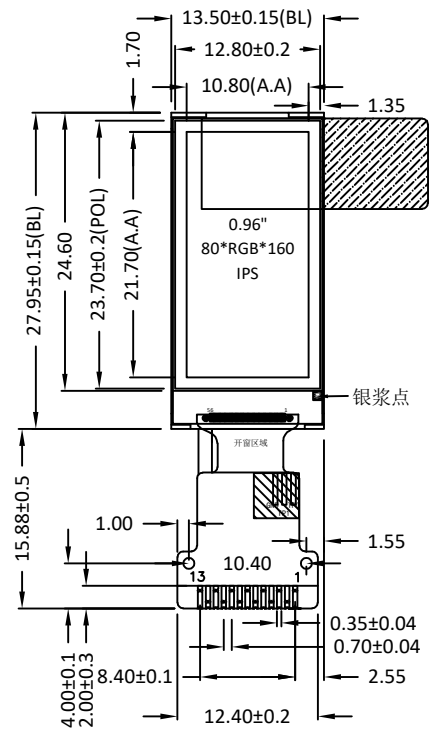


Version	1.0	2020-04-22	New Issue				
---------	-----	------------	-----------	--	--	--	--

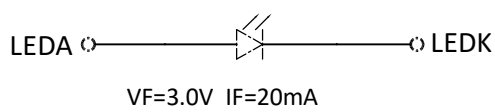


PIN	SYMBOL
1	TP0
2	TP1
3	SDA
4	SCL
5	D/C
6	RESET
7	CS
8	GND
9	NC
10	VDD
11	LEDK
12	LEDA
13	GND

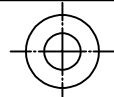
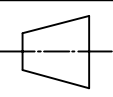
**SPECIFICATIONS:**

- 1. DISPLAY TYPE: 0.96" / 80\*160
- 2. DRIVE IC: ST7735S
- 3. OPERATING TEMPERATURE: -20 ~ 70°C
- 4. STORAGE TEMPERATURE: -30 ~ 80°C
- 5. VIEWING ANGLE: IPS
- 6. BRIGHTNESS: 400 CD/M<sup>2</sup> (TYP.)
- 7. BACKLIGHT: 1 WHITE LED / 20mA
- 8. CUSTOMER PART NO.: BOCEN STANDARD PRODUCT

**LED CIRCUIT DIAGRAM:**



**BOCEN DISPLAY TECHNOLOGY CO., LTD.**

DESIGNED BY: David	<b>BF09613-03A</b>	VERSION: 1.0
CHECKED BY: William	 	NO.: 1 OF 1
APPROVED BY: Rio		UNIT: mm
Website: <a href="http://www.bocentech.com">http://www.bocentech.com</a>		DATE: 2020-04-22