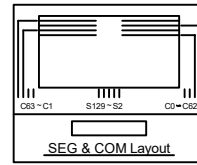
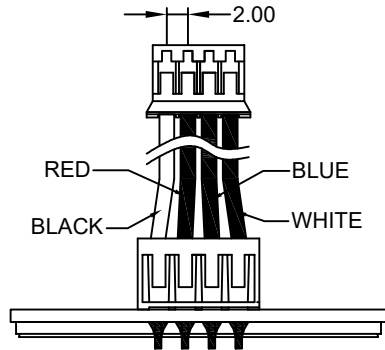


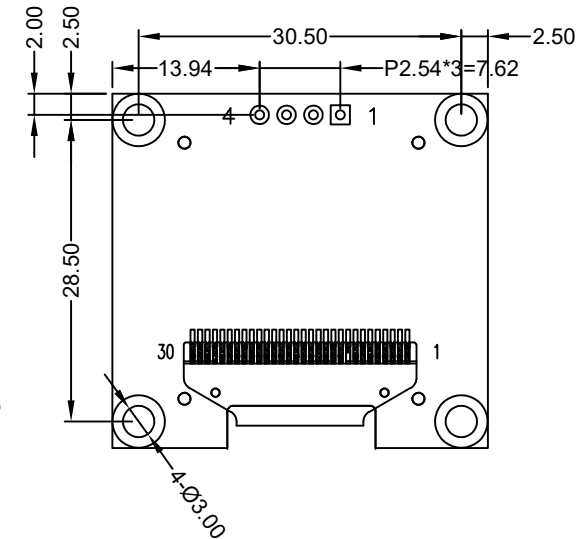
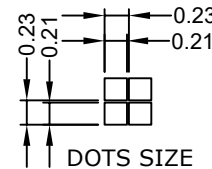
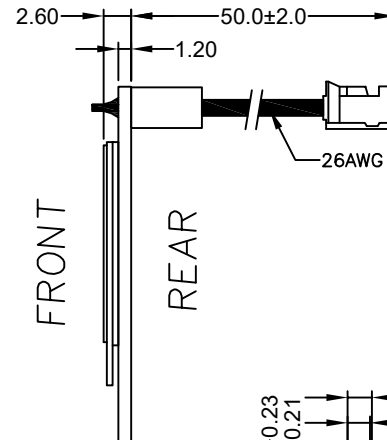
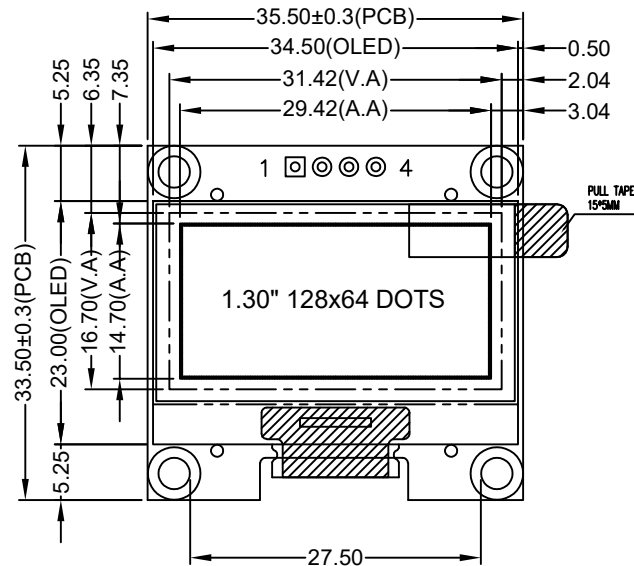
Version

1.0 2019-2-21 New Issue



PIN	SYMBOL
1	GND
2	VCC
3	SCL
4	SDA

I²C Address Select 0X78



SPECIFICATIONS:

- | | |
|-----------------------|------------------------|
| 1. DISPLAY TYPE: | OLED |
| 2. DISPLAY SIZE: | 1.30" |
| 3. COLOR: | WHITE |
| 4. DOT MATRIX: | 128x64 |
| 5. DRIVE IC: | SH1106G |
| 6. CUSTOMER PART NO.: | BOCEN STANDARD PRODUCT |

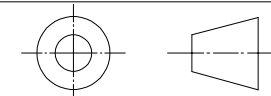
BOCEN DISPLAY TECHNOLOGY CO., LTD.

DESIGNED BY: David

BO12864-96

VERSION: 1.0

CHECKED BY: William



NO.: 1 OF 1

APPROVED BY: Rio

UNIT: mm

Website: <http://www.bocentech.com>

DATE: 2019-2-21