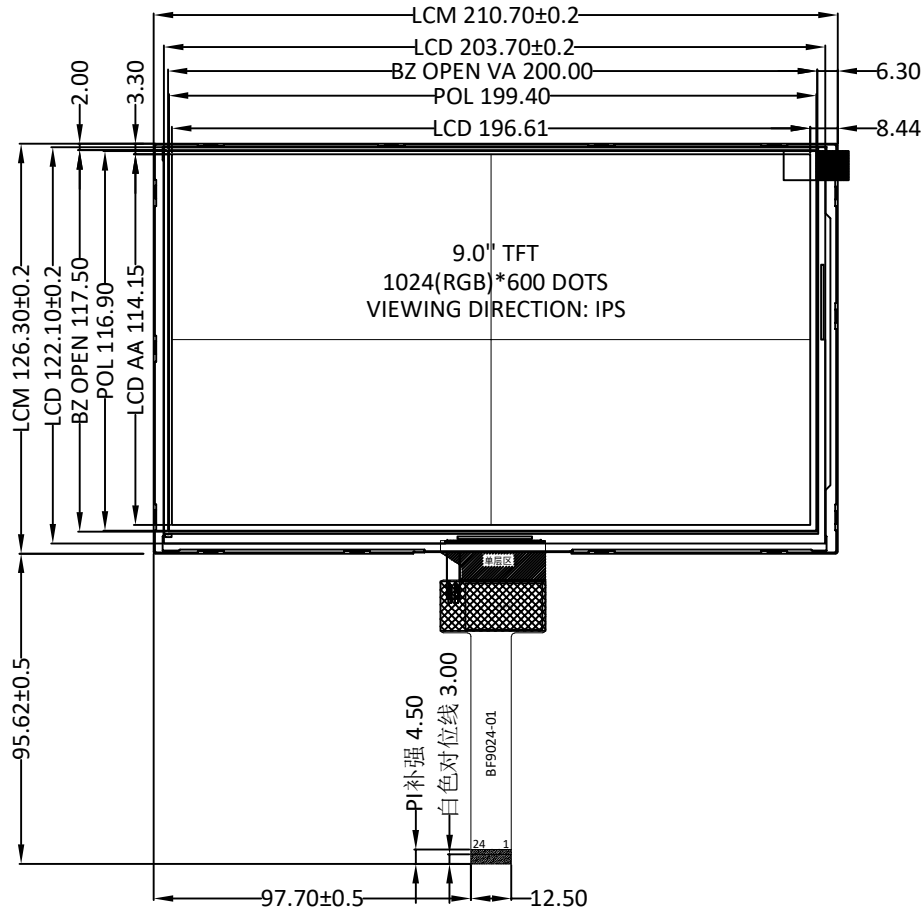


Version

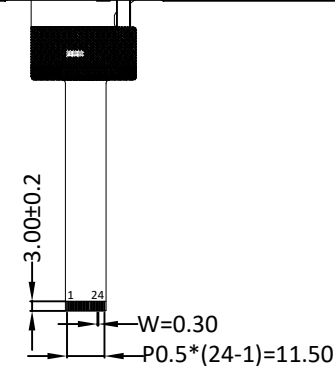
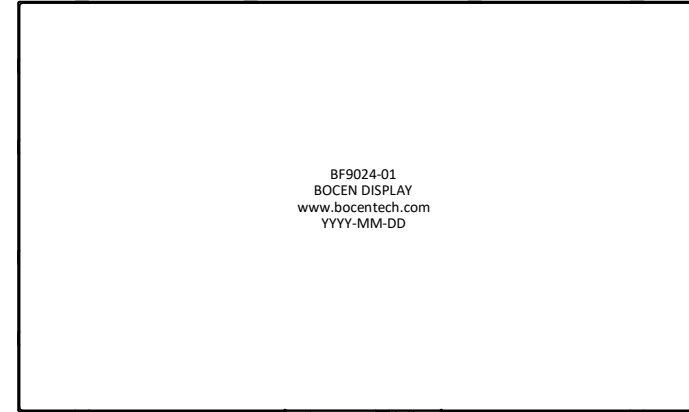
1.0

2022-9-16

New Issue



3.40±0.20

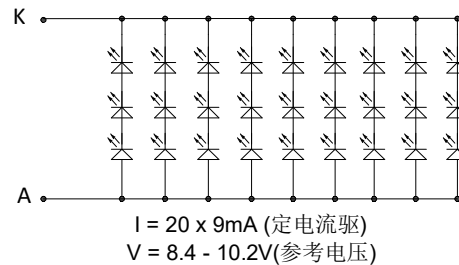


PIN	SYMBOL
1	D1N
2	D1P
3	GND
4	GND
5	D0N
6	D0P
7	GND
8	GND
9	CLKN
10	CLKP
11	GND
12	NC
13	NC
14	RESET
15	GND
16	GND
17	IOVCC 1.8-3.3V
18	VCI 2.8-3.3V
19	GND
20	NC
21	GND
22	LEDK
23	LEDA
24	GND

## SPECIFICATIONS:

- |                           |                        |
|---------------------------|------------------------|
| 1. DISPLAY TYPE:          | 9.0"/ 1024*600         |
| 2. DRIVE IC:              | EK79007AD2/EK73217BCGA |
| 3. OPERATING TEMPERATURE: | -20 ~ 70°C             |
| 4. STORAGE TEMPERATURE:   | -30 ~ 80°C             |
| 5. VIEWING ANGLE:         | IPS                    |
| 6. BACKLIGHT:             | 27 WHITE LED, 180MA    |
| 7. CUSTOMER PART NO.:     | BOCEN STANDARD PRODUCT |

## Backlight Circuit Diagram



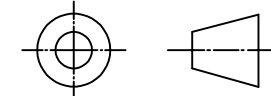
## BOCEN DISPLAY TECHNOLOGY CO., LTD.

DESIGNED BY: Shawn

BF9024-01

VERSION: 1.0

CHECKED BY: William



NO.: 1 OF 1

APPROVED BY: Rio

UNIT: mm

Website: <http://www.bocentech.com>

DATE: 2022-9-16