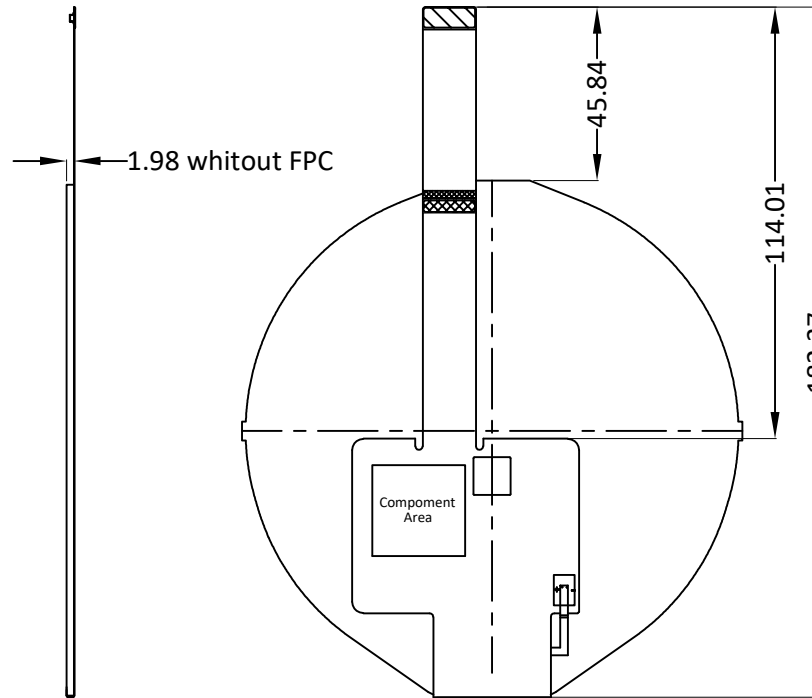
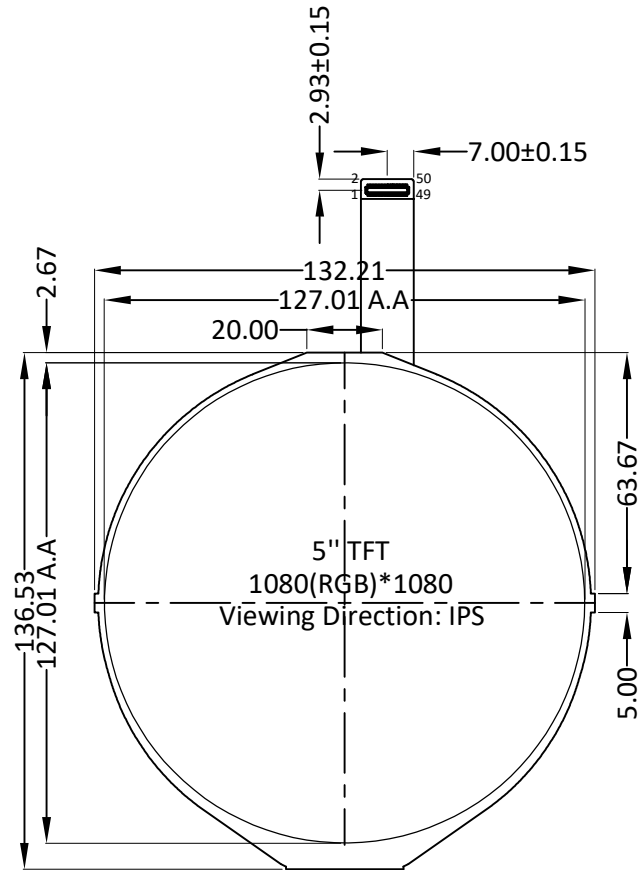


Version

1.0 2022-9-28 New Issue

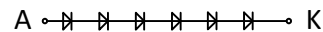


PIN	SYMBOL
1~2	GND
3	LAN2_P
4	LEDK
5	LAN2_N
6	LEDK
7~8	GND
9	LAN1_P
10	LEDA
11	LAN1_N
12	LEDA
13~14	GND
15	CLK_P
16	ID_PIN2
17	CLK_N
18	ID_PIN1
19~20	GND
21	LAN0_P
22	IOVCC
23	LAN0_N
24	IOVCC
25~26	GND
27	LAN3_P
28	NC
29	LAN3_N
30	VDD(-5)
31	GND
32	VDD(-5)
33~35	NC
36	VDD(+5)
37	GND
38	VDD(+5)
39~41	NC
42	GND
43	NC
44	LEDPWM
45	NC
46	TE
47	GND
48	RESET
49~50	GND

**SPECIFICATIONS:**

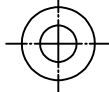
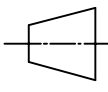
- 1. DISPLAY TYPE: 5.0" / IPS / 1080\*1080
- 2. DRIVE IC: HX8399C
- 3. OPERATING TEMPERATURE: -20 ~ 60°C
- 4. STORAGE TEMPERATURE: -30 ~ 70°C
- 5. VIEWING ANGLE: IPS
- 6. BACKLIGHT: 6 WHITE LED, 20MA
- 7. CUSTOMER PART NO.: BOCEN STANDARD PRODUCT

**Backlight circuit**



Vf=37.2V, If=20mA

**BOCEN DISPLAY TECHNOLOGY CO., LTD.**

DESIGNED BY: David	<b>BF5050-01</b>	VERSION: 1.0
CHECKED BY: William	 	NO.: 1 OF 1
APPROVED BY: Rio		UNIT: mm
Website: <a href="http://www.bocentech.com">http://www.bocentech.com</a>		DATE: 2022-9-28