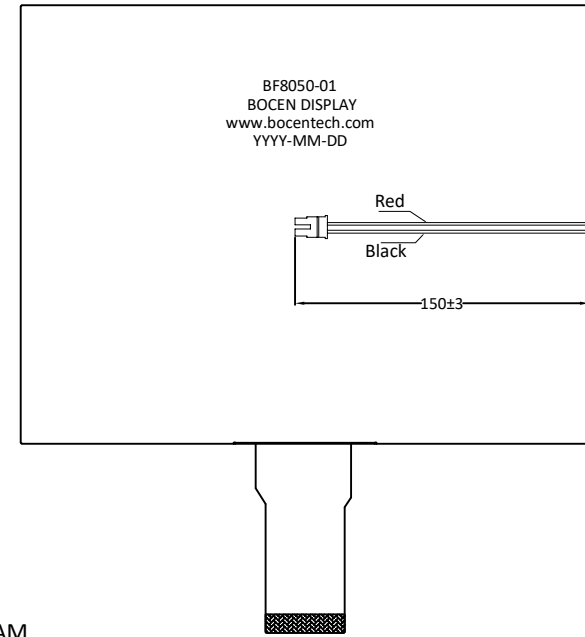
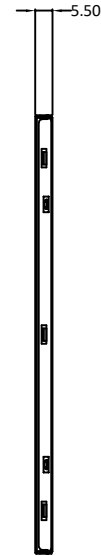
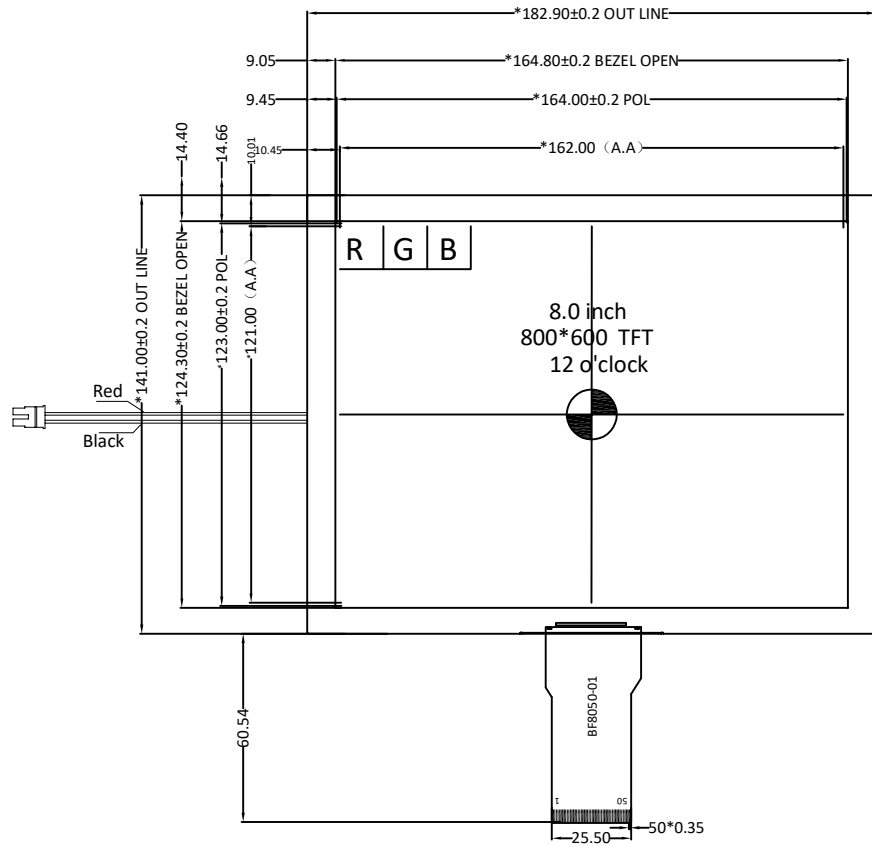
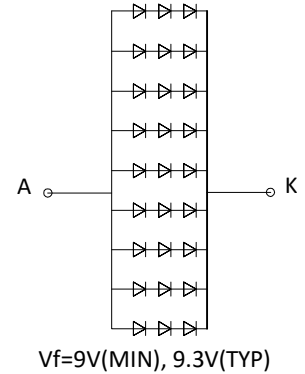


Version	1.0	2019-3-6	New Issue				
---------	-----	----------	-----------	--	--	--	--



INTERFACE	
1~2	VBL+
3~4	VBL-
5	GND
6	VCOM
7	VDD
8	MODE
9	DE
10	VSYNC
11	HSYNC
12~19	B7~B0
20~27	G7~G0
28~35	R7~R0
36	GND
37	DCLK
38	GND
39	SHLR
40	UDDN
41	VGH
42	VGL
43	AVDD
44	RESET
45	NC
46	VCOM
47	DITHM
48	GND
49~50	NC

BACKLIGHT CIRCUIT DIAGRAM



SPECIFICATIONS:

- 1. DISPLAY TYPE: 8.0"/ 800*600
- 2. OPERATING TEMPERATURE: -20 ~ 60°C
- 3. STORAGE TEMPERATURE: -30 ~ 70°C
- 4. VIEWING ANGLE: 12 O' CLOCK
- 5. BACKLIGHT: 27 WHITE LED, If=180mA
- 6. BRIGHTNESS: 280 CD/M2 (MIN) 300 CD/M2 (TYP)
- 7. CUSTOMER PART NO.: BOCEN STANDARD PRODUCT

BOCEN DISPLAY TECHNOLOGY CO., LTD.		
DESIGNED BY: Shawn	BF8050-01	VERSION: 1.0
CHECKED BY: William		NO.: 1 OF 1
APPROVED BY: Rio		UNIT: mm
Website: http://www.bocentech.com		DATE: 2019-3-6