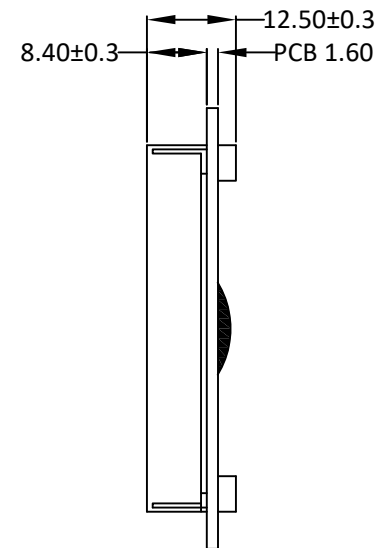
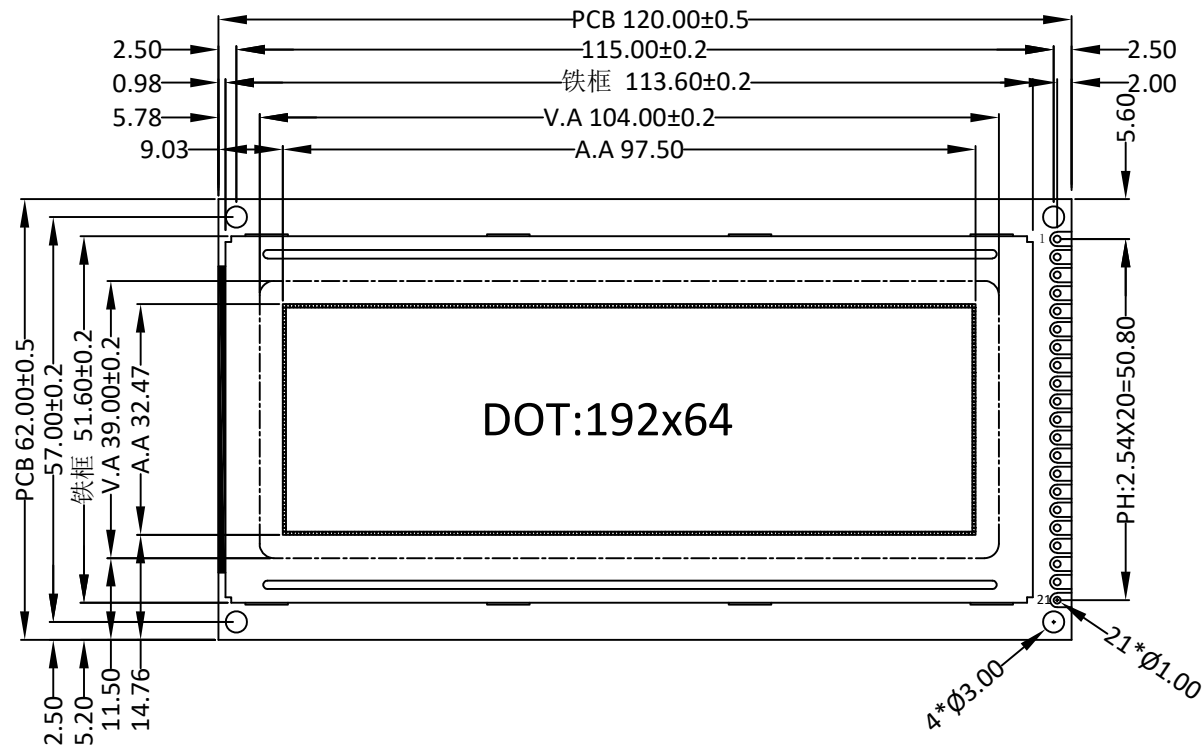
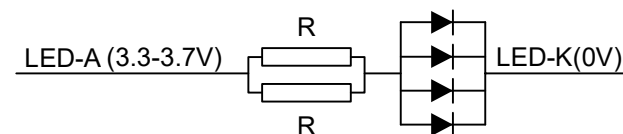


Version

1.0 2019-1-23 New Issue



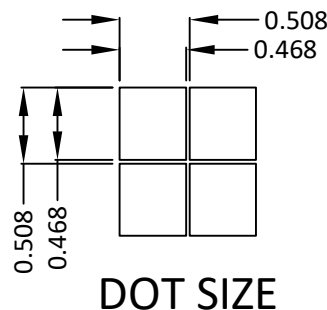
PIN	SYMBOL
1	VSS
2	VDD(5V)
3	V0
4	VEE
5	RS
6	R/W
7	E
8	DB0
9	DB1
10	DB2
11	DB3
12	DB4
13	DB5
14	DB6
15	DB7
16	/CS1
17	/CS2
18	/CS3
19	/RST
20	LED-A (3.3-3.7V)
21	LED-K(0V)



BACKLIGHT CIRCUIT

SPECIFICATIONS:

- | | |
|---------------------------|--------------------------------|
| 1. DISPLAY TYPE: | FSTN / POSITIVE / TRANFLECTIVE |
| 2. DRIVE IC: | AIP31107, AIP31108 or EQV. |
| 3. CONNECTOR: | ZEBRA |
| 4. OPERATING VOLTAGE: | VOP = 10.5V, VDD = 5.0V |
| 5. OPERATING TEMPERATURE: | -20 ~ 70°C |
| 6. STORAGE TEMPERATURE: | -30 ~ 80°C |
| 7. DRIVE MODE: | 1/64 DUTY, 1/9 BIAS |
| 8. VIEWING ANGLE: | 6 O'CLOCK |
| 9. BACKLIGHT: | 4 PCS WHITE LED, I = 60mA |
| 10. CUSTOMER PART NO.: | BOCEN STANDARD PRODUCT |



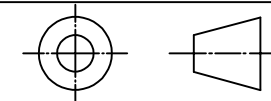
BOCEN DISPLAY TECHNOLOGY CO., LTD.

DESIGNED BY: Shawn

BB19264-05

VERSION: 1.0

CHECKED BY: William



NO.: 1 OF 1

APPROVED BY: Rio

UNIT: mm

Website: <http://www.bocentech.com>

DATE: 2019-1-23