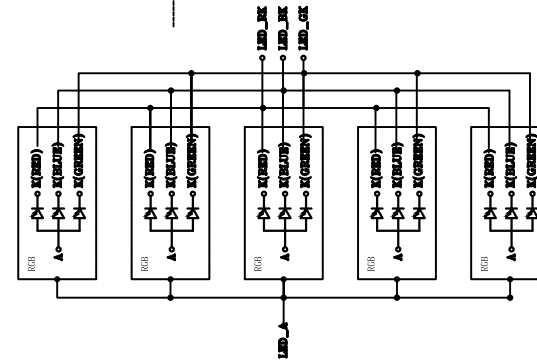


Red: 2.0±0.2V, 50mA;  
Green: 2.9±0.2V, 75mA;  
Blue: 2.9±0.2V, 75mA.



PIN	SYMBOL
1	LED_A
2	LED_RK
3	LED_BK
4	LED_GK
5	ESD-GND
6	GND
7	SDA
8	SCL
9	RESET
10	A0
11	CS
12	COMSCN
13	GND
14	VDD
15	VDD
16	CAP1N
17	CAP1P
18	XV0
19	V0
20	VG
21	GND
22	ESD-GND

### SPECIFICATIONS:

- |                           |   |
|---------------------------|---|
| 1. DISPLAY TYPE:          | FSTN / POSITIVE / TRANSMISSIVE            |
| 2. DRIVE IC:              | ST75256                                   |
| 3. OPERATING VOLTAGE:     | V <sub>lcd</sub> =8V; V <sub>dd</sub> =3V |
| 4. OPERATING TEMPERATURE: | -20°C ~ +70°C                             |
| 5. STORAGE TEMPERATURE:   | -30°C ~ +80°C                             |
| 6. DRIVE MODE:            | 1/65DUTY, 1/9BIAS                         |
| 7. VIEWING ANGLE:         | 12 O'CLOCK                                |
| 8. BACKLIGHT:             | 5PCS RGB LED                              |
| 9. CUSTOMER PART NO.:     | BOCEN STANDARD PRODUCT                    |

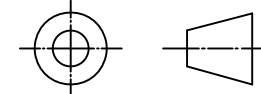
## BOCEN DISPLAY TECHNOLOGY CO., LTD.

DESIGNED BY: Shawn

**BG24064-01**

VERSION: 1.0

CHECKED BY: William



NO.: 1 OF 3

APPROVED BY: Rio

UNIT: mm

Website: <http://www.bocentech.com>

DATE: 2017-10-26