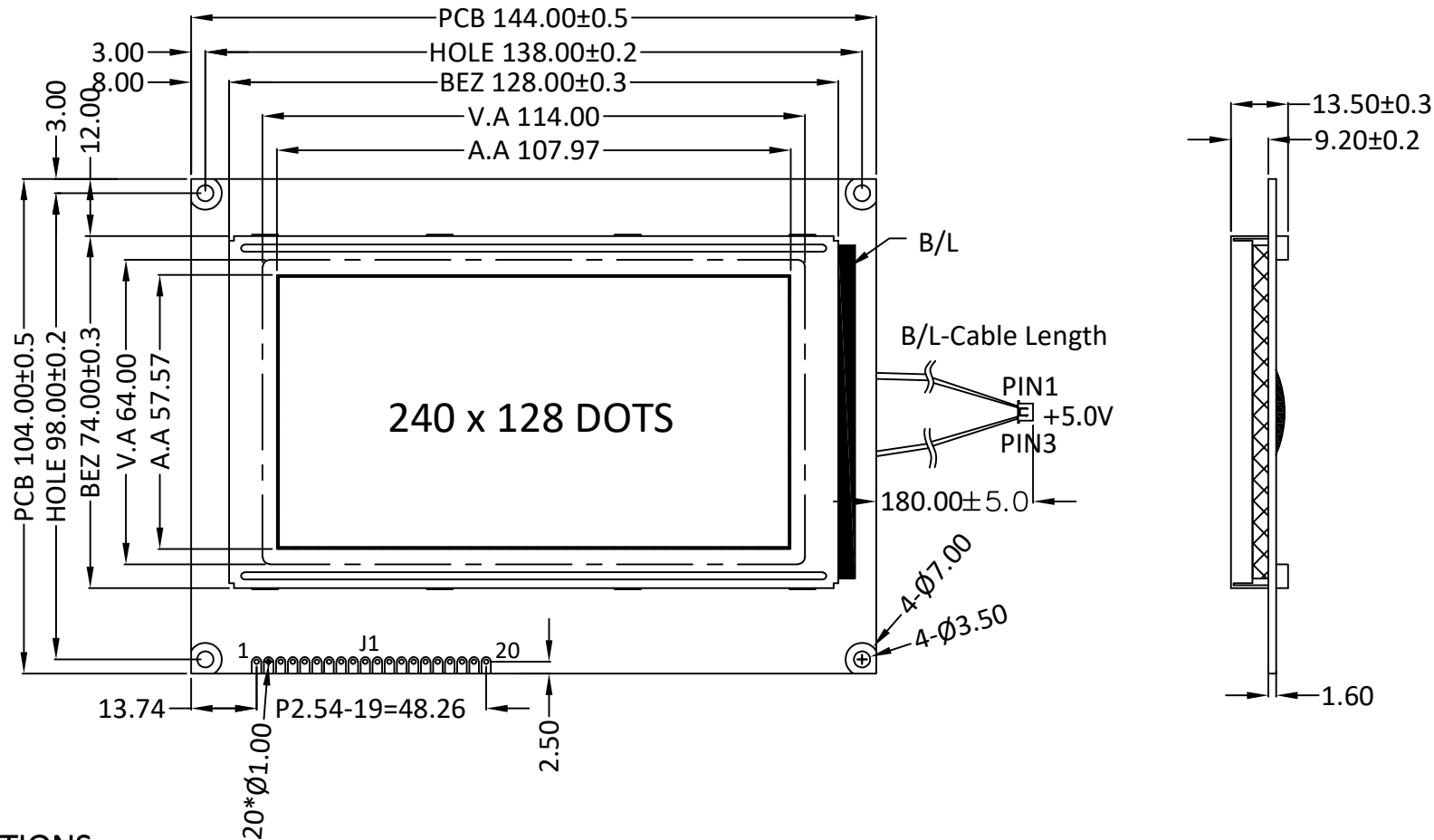


Revised Record

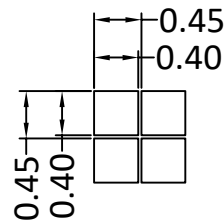
1.0 2017-8-4 New Issue



PIN	SYMBOL
1	VSS
2	VCC(5V)
3	V0
4	C/D
5	/RD
6	/WR
7	DB0
8	DB1
9	DB2
10	DB3
11	DB4
12	DB5
13	DB6
14	DB7
15	/CE
16	/RST
17	VEE
18	MD2
19	FS
20	NC

**SPECIFICATIONS:**

- |                           |                                     |
|---------------------------|-------------------------------------|
| 1. DISPLAY TYPE:          | STN / NEGATIVE(BLUE) / TRANSMISSIVE |
| 2. DRIVE IC:              | RA6963 OR EQV.                      |
| 3. CONNECTOR:             | ZEBRA                               |
| 4. OPERATING VOLTAGE:     | VOP = 18 V, VDD = 5.0V              |
| 5. OPERATING TEMPERATURE: | -20 ~ 70°C                          |
| 6. STORAGE TEMPERATURE:   | -30 ~ 80°C                          |
| 7. DRIVE MODE:            | 1/128 DUTY, 1/12 BIAS               |
| 8. VIEWING ANGLE:         | 6 O'CLOCK                           |
| 9. BACKLIGHT:             | WHITE LED, IF = 150mA, VF = 5.0V    |
| 10. CUSTOMER PART NO.:    | BOCEN STANDARD PRODUCT              |



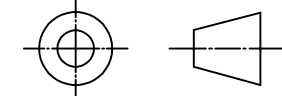
**BOCEN DISPLAY TECHNOLOGY CO., LTD.**

DESIGNED BY: Shawn

**BB240128-04A**

VERSION: 1.0

CHECKED BY: William



NO.: 1 OF 1

APPROVED BY: Rio

UNIT: mm

Website: <http://www.bocentech.com>

DATE: 2017-8-4