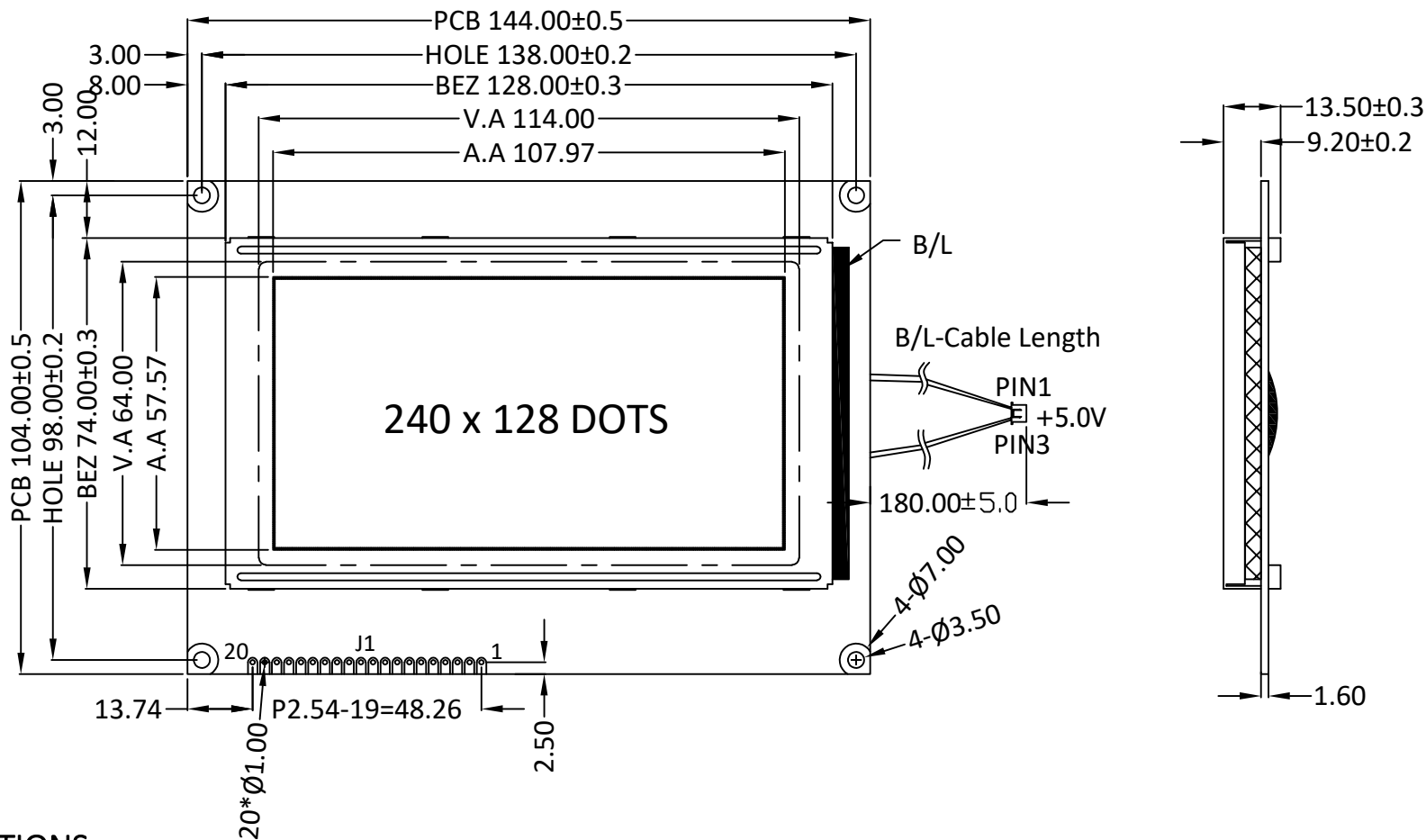


Revised Record

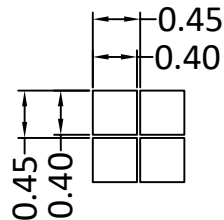
1.0	2017-8-4	New Issue
-----	----------	-----------



PIN	SYMBOL
1	VSS
2	VCC(5V)
3	V0
4	C/D
5	/RD
6	/WR
7	DB0
8	DB1
9	DB2
10	DB3
11	DB4
12	DB5
13	DB6
14	DB7
15	/CE
16	/RST
17	VEE
18	MD2
19	FS
20	NC

SPECIFICATIONS:

- | | |
|---------------------------|-------------------------------------|
| 1. DISPLAY TYPE: | STN / NEGATIVE(BLUE) / TRANSMISSIVE |
| 2. DRIVE IC: | RA6963 OR EQV. |
| 3. CONNECTOR: | ZEBRA |
| 4. OPERATING VOLTAGE: | VOP = 18V, VDD = 5.0V |
| 5. OPERATING TEMPERATURE: | -20 ~ 70°C |
| 6. STORAGE TEMPERATURE: | -30 ~ 80°C |
| 7. DRIVE MODE: | 1/128 DUTY, 1/12 BIAS |
| 8. VIEWING ANGLE: | 6 O'CLOCK |
| 9. BACKLIGHT: | WHITE LED, IF = 150mA, VF = 5.0V |
| 10. CUSTOMER PART NO.: | BOCEN STANDARD PRODUCT |



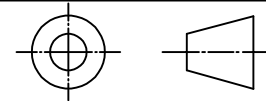
BOCEN DISPLAY TECHNOLOGY CO., LTD.

DESIGNED BY: Shawn

BB240128-04

VERSION: 1.0

CHECKED BY: William



NO.: 1 OF 1

APPROVED BY: Rio

UNIT: mm

Website: <http://www.bocentech.com>

DATE: 2017-8-4