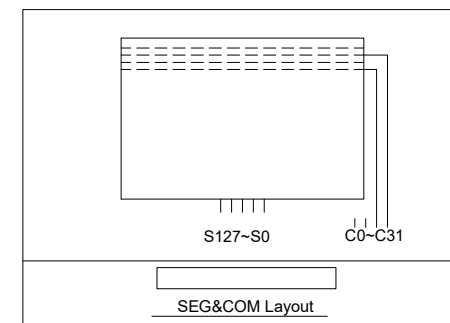
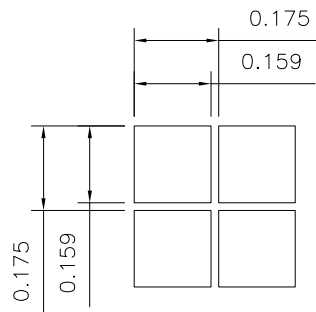


PIN	SYMBOL
1	GND
2	VCC
3	SCL
4	SDA



SPECIFICATIONS:

- | | |
|-----------------------|------------------------|
| 1. DISPLAY TYPE: | OLED |
| 2. DISPLAY SIZE: | 0.91" |
| 3. COLOR: | WHITE |
| 4. DOT MATRIX: | 128x32 |
| 5. DRIVE IC: | SSD1306BZ |
| 6. POWER SUPPLY: | 3.3V~5.0V |
| 7. CUSTOMER PART NO.: | BOCEN STANDARD PRODUCT |



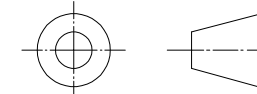
BOCEN DISPLAY TECHNOLOGY CO., LTD.

DESIGNED BY: Shawn

BO12832-50

VERSION: 1.0

CHECKED BY: William



NO.: 1 OF 1

APPROVED BY: Rio

UNIT: mm

Company Website: <http://www.bocentech.com>

DATE: 2020-2-26