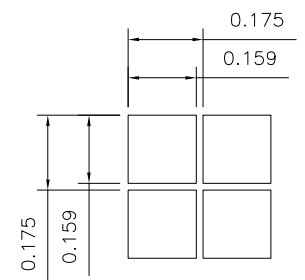
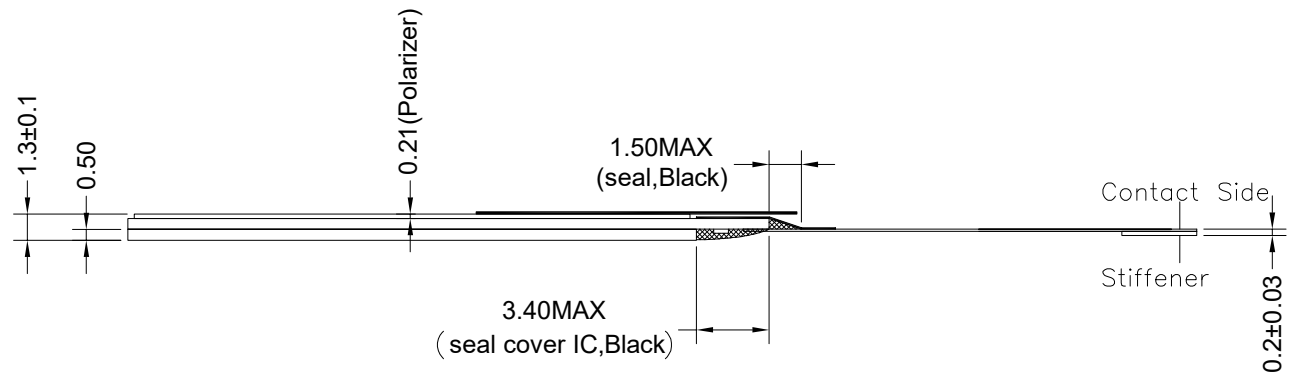


PIN	SYMBOL
1	VSS
2	VDD
3	RES
4	SCL
5	SDA
6	IREF
7	VCOMH
8	VCC



SPECIFICATIONS:

- | | |
|-----------------------|------------------------|
| 1. DISPLAY TYPE: | OLED |
| 2. DISPLAY SIZE: | 0.91" |
| 3. COLOR: | WHITE |
| 4. DOT MATRIX: | 128x32 |
| 5. DRIVE IC: | SSD1306BZ |
| 6. CUSTOMER PART NO.: | BOCEN STANDARD PRODUCT |

BOCEN DISPLAY TECHNOLOGY CO., LTD.

DESIGNED BY: Shawn	BO12832-47	VERSION: 1.0
CHECKED BY: William		NO.: 1 OF 1
APPROVED BY: Rio		UNIT: mm
Company Website: http://www.bocentech.com		DATE: 2019-12-27