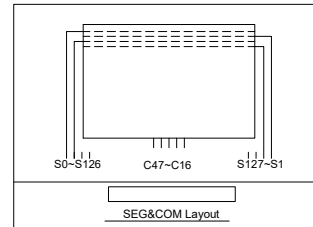
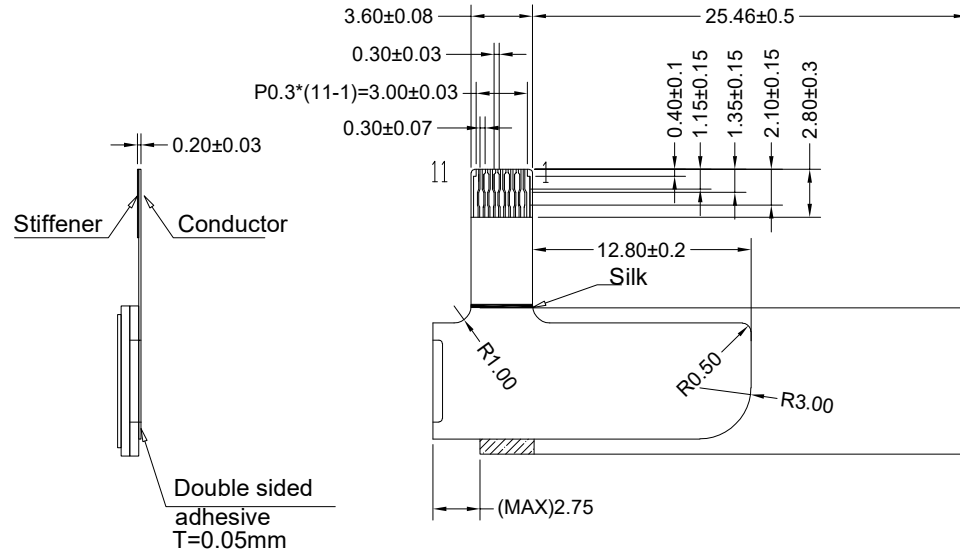
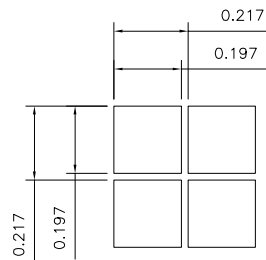


**SIDE VIEW**

**SPECIFICATIONS:**

- |                       |                        |
|-----------------------|------------------------|
| 1. DISPLAY TYPE:      | OLED                   |
| 2. DISPLAY SIZE:      | 0.91"                  |
| 3. COLOR:             | WHITE                  |
| 4. DOT MATRIX:        | 128x32                 |
| 5. DRIVE IC:          | CH1115                 |
| 6. CUSTOMER PART NO.: | BOCEN STANDARD PRODUCT |



PIN	SYMBOL
1	VSS
2	VDD
3	CS#
4	RES#
5	D/C#
6	SCLK
7	SDIN
8	IREF
9	VCOMH
10	VCC
11	VSS

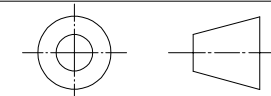
**BOCEN DISPLAY TECHNOLOGY CO., LTD.**

DESIGNED BY: Shawn

**BO12832-42**

VERSION: 1.0

CHECKED BY: William



NO.: 1 OF 1

APPROVED BY: Rio

UNIT: mm

Company Website: <http://www.bocentech.com>

DATE: 2017-4-16