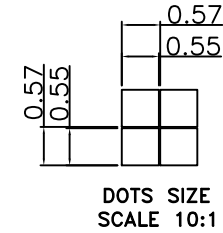
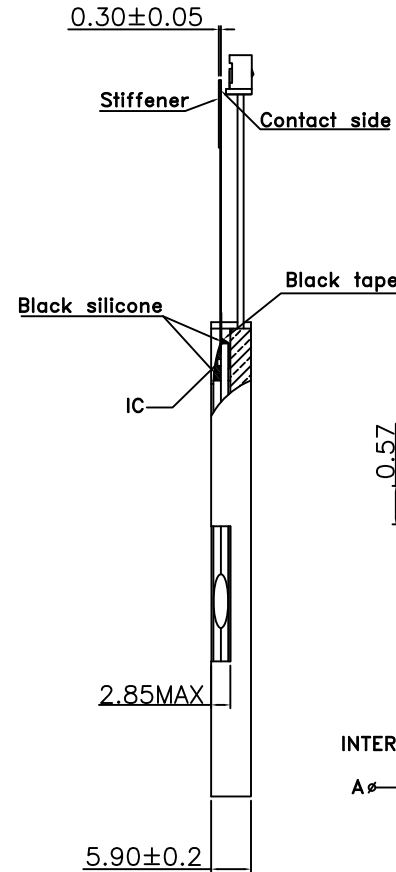
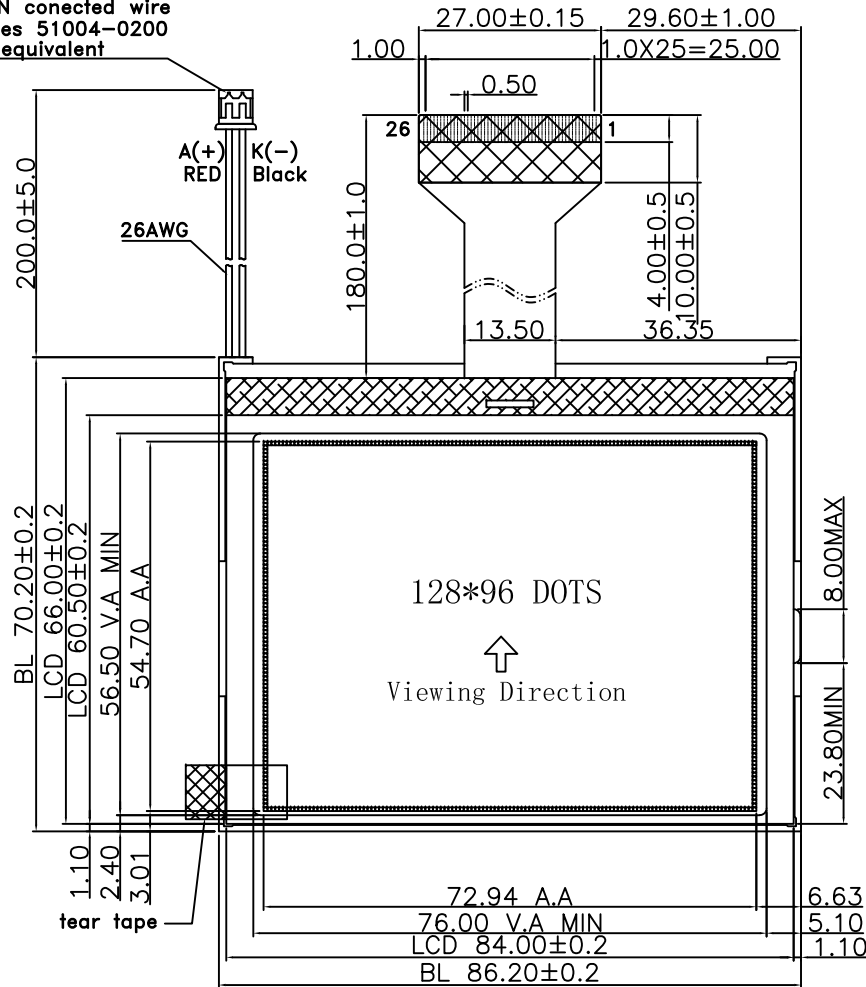
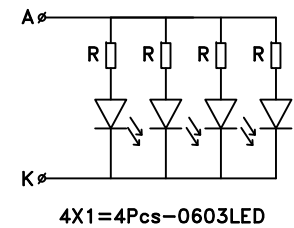


2PIN conected wire  
Moles 51004-0200  
or equivalent



INTERNAL CIRCUIT DIAGRAM:



PIN	SYMBOL
1	V0
2	V1
3	V2
4	V3
5	V4
6	VOUT
7	D7
8	D6
9	D5
10	D4
11	D3
12	D2
13	D1
14	D0
15	/RD
16	/WR
17	A0
18	/RESET
19	CSB
20	VSS
21	VDD
22	VSS
23	VSS
24	VSS
25	VSS
26	VSS

**SPECIFICATIONS:**

1. DISPLAY TYPE: FSTN / POSITIVE/ TRANSFLECTIVE
2. DRIVE IC: ST7541
3. OPERATING VOLTAGE: Vlcd=10V; Vdd=3V
4. OPERATING TEMPERATURE: -20°C ~ +70°C
5. STORAGE TEMPERATURE: -30°C ~+80°C
6. DRIVE MODE: 1/96DUTY, 1/10BIAS
7. VIEWING ANGLE: 6 O'CLOCK
8. BACKLIGHT: 4PCS WHITE LEDS, IF=60mA, VF=4.6V
9. CUSTOMER PART NO.: BOCEN STANDARD PRODUCT

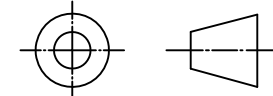
**BOCEN DISPLAY TECHNOLOGY CO., LTD.**

DESIGNED BY: Shawn

**BG12896-01**

VERSION: 1.0

CHECKED BY: William



NO.: 1 OF 3

APPROVED BY: Rio

UNIT: mm

Website: <http://www.bocentech.com>

DATE: 2016-10-21