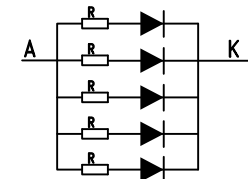


LCD LAYOUT



BACKLIGHT CIRCUIT

PIN	SYMBOL
1	/CS1
2	/RES
3	A0
4	SCLK
5	VDD(3.3V)
6	VSS
7	SID
8	BLA(3.3V)

SPECIFICATIONS:

- | | |
|---------------------------|-------------------------------------|
| 1. DISPLAY TYPE: | STN / BLUE / NEGATIVE/ TRANSMISSIVE |
| 2. DRIVE IC: | IST3020 |
| 3. OPERATING VOLTAGE: | Vop=9.8V; Vdd=3V |
| 4. OPERATING TEMPERATURE: | -20°C ~ +70°C |
| 5. STORAGE TEMPERATURE: | -30°C ~+80°C |
| 6. DRIVE MODE: | 1/65DUTY, 1/9BIAS |
| 7. VIEWING ANGLE: | 12 O'CLOCK |
| 8. BACKLIGHT: | 5PCS white LED; IF=75mA; VF=3.3V |
| 9. CUSTOMER PART NO.: | BOCEN STANDARD PRODUCT |

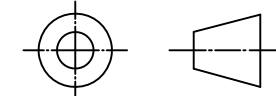
BOCEN DISPLAY TECHNOLOGY CO., LTD.

DESIGNED BY: Shawn

BG19264-01

VERSION: 1.0

CHECKED BY: William



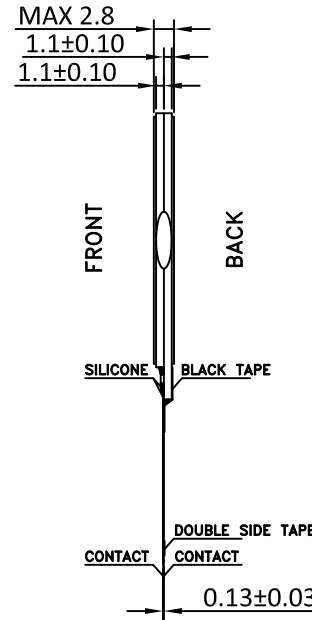
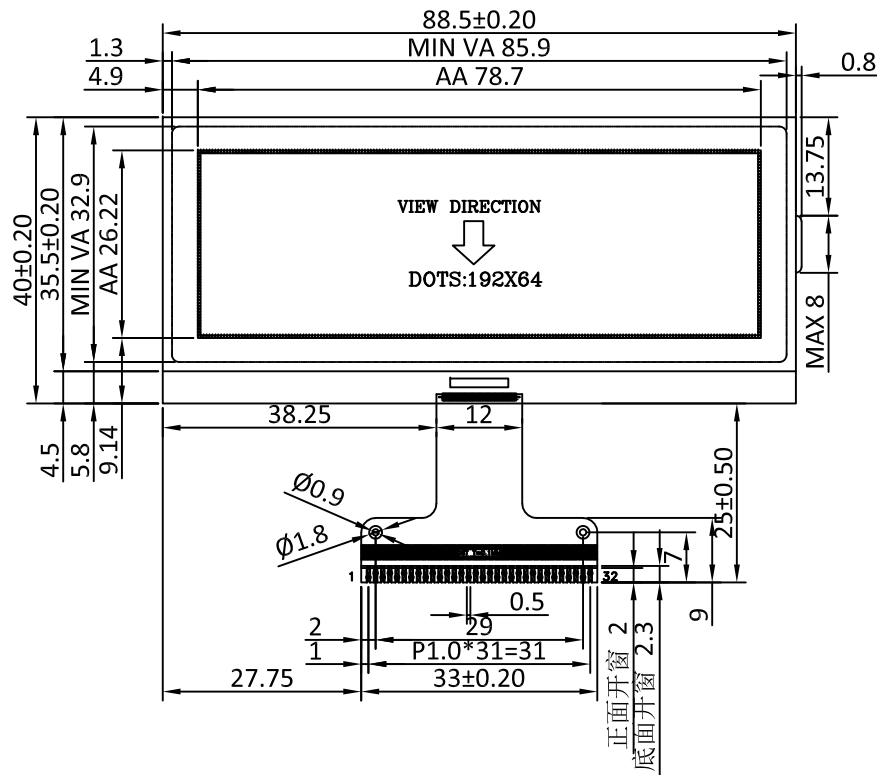
NO.: 1 OF 3

APPROVED BY: Rio

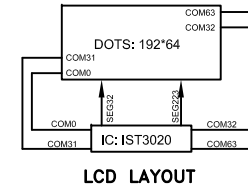
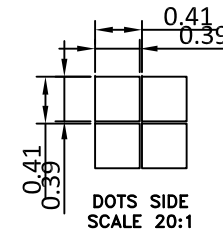
UNIT: mm

Website: <http://www.bocentech.com>

DATE: 2014-08-05



PIN	SYMBOL	PIN	SYMBOL
1	ESD	17	DB7
2	C86	18	DB6
3	VR	19	DB5
4	IRS	20	DB4
5	V4	21	DB3
6	V3	22	DB2
7	V2	23	DB1
8	V1	24	DB0
9	V0	25	/RD
10	C2-	26	/WR
11	C2+	27	A0
12	C1+	28	/RES
13	C1-	29	/CS1
14	C3+	30	VDD
15	VOUT	31	VSS
16	PS	32	ESD



SPECIFICATIONS:

- 1. DISPLAY TYPE: STN / BLUE / NEGATIVE/ TRANSMISSIVE
- 2. DRIVE IC: IST3020
- 3. OPERATING VOLTAGE: Vop=9.8V; Vdd=3V
- 4. OPERATING TEMPERATURE: -20°C ~ +70°C
- 5. STORAGE TEMPERATURE: -30°C ~+80°C
- 6. DRIVE MODE: 1/65DUTY, 1/9BIAS
- 7. VIEWING ANGLE: 12 O'CLOCK
- 8. BACKLIGHT: 5PCS white LED; IF=75mA; VF=3.3V
- 9. CUSTOMER PART NO.: BOCEN STANDARD PRODUCT

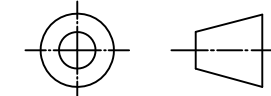
BOCEN DISPLAY TECHNOLOGY CO., LTD.

DESIGNED BY: Shawn

BG19264-01

VERSION: 1.0

CHECKED BY: William



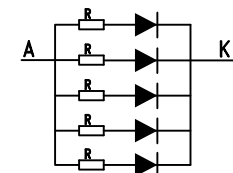
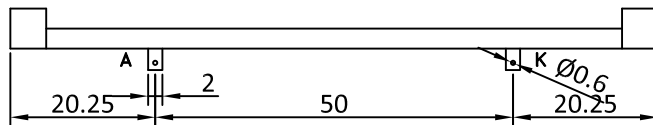
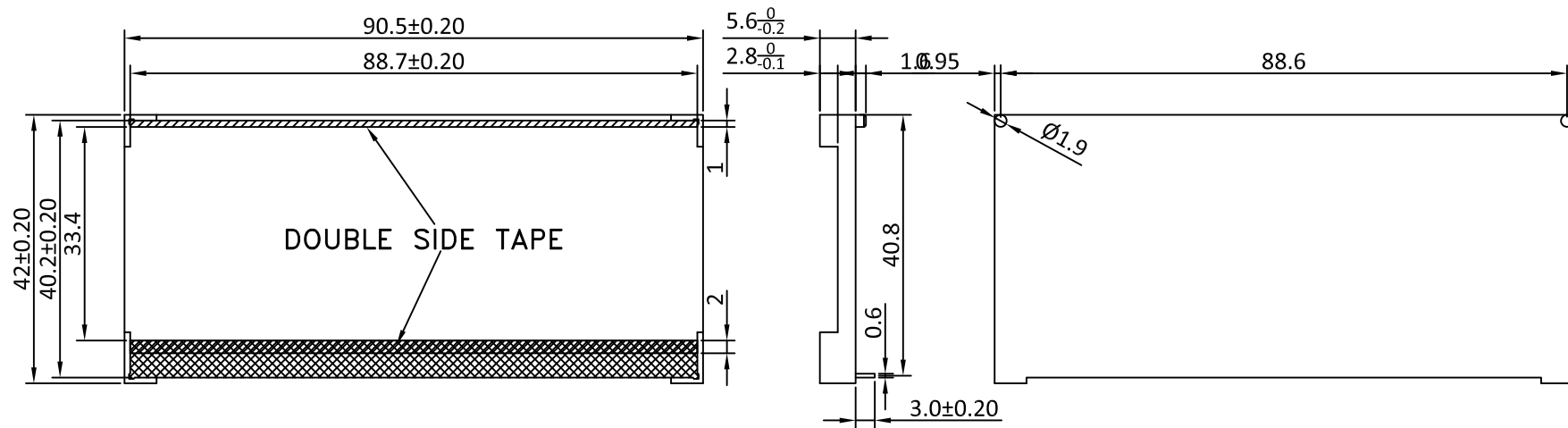
NO.: 1 OF 3

APPROVED BY: Rio

UNIT: mm

Website: <http://www.bocentech.com>

DATE: 2014-08-05



BACKLIGHT CIRCUIT

SPECIFICATIONS:

- | | |
|---------------------------|---|
| 1. DISPLAY TYPE: | STN / BLUE / NEGATIVE/ TRANSMISSIVE |
| 2. DRIVE IC: | IST3020 |
| 3. OPERATING VOLTAGE: | $V_{op}=9.8V$; $V_{dd}=3V$ |
| 4. OPERATING TEMPERATURE: | $-20^{\circ}C \sim +70^{\circ}C$ |
| 5. STORAGE TEMPERATURE: | $-30^{\circ}C \sim +80^{\circ}C$ |
| 6. DRIVE MODE: | 1/65DUTY, 1/9BIAS |
| 7. VIEWING ANGLE: | 12 O'CLOCK |
| 8. BACKLIGHT: | 5PCS white LED; $I_F=75mA$; $V_F=3.3V$ |
| 9. CUSTOMER PART NO.: | BOCEN STANDARD PRODUCT |

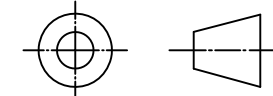
BOCEN DISPLAY TECHNOLOGY CO., LTD.

DESIGNED BY: Shawn

BG19264-01

VERSION: 1.0

CHECKED BY: William



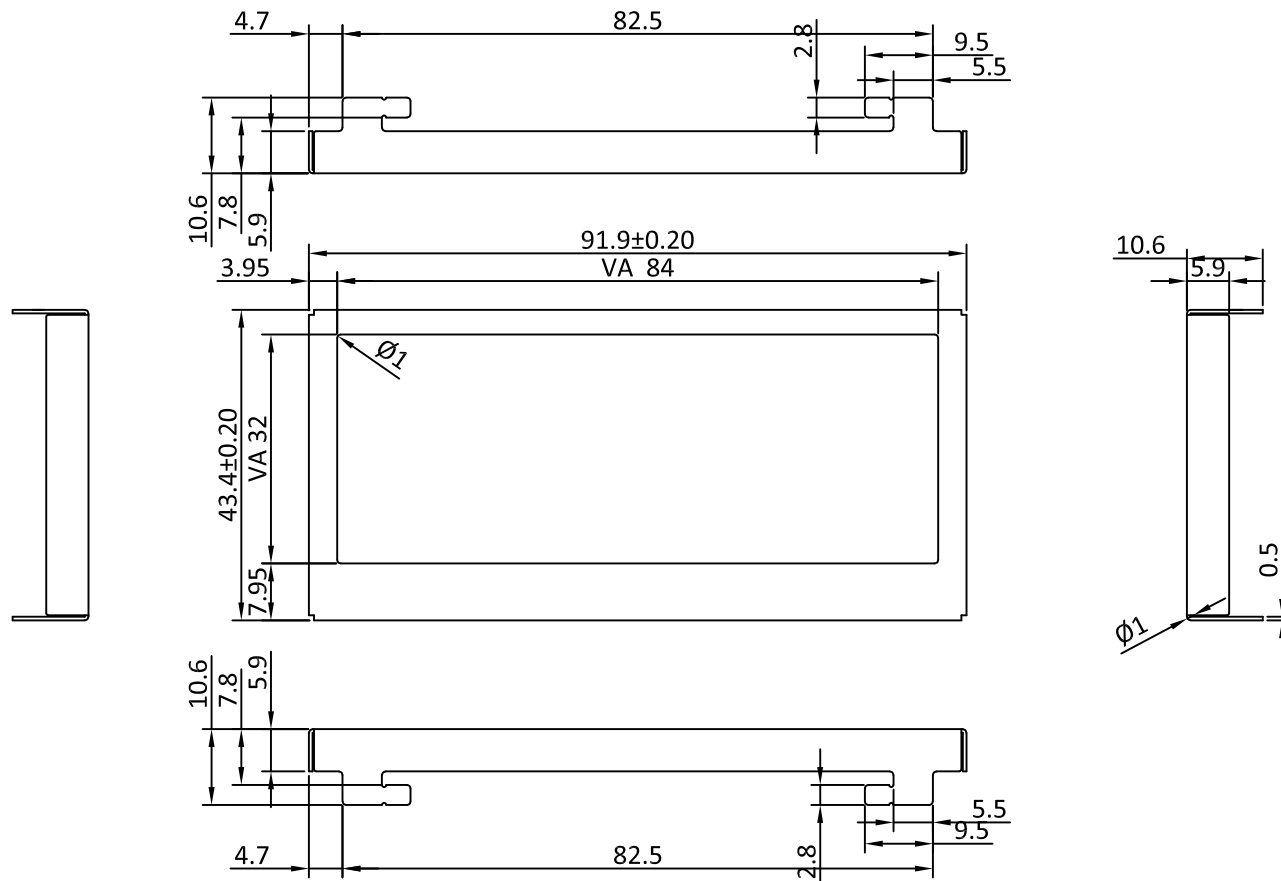
NO.: 1 OF 3

APPROVED BY: Rio

UNIT: mm

Website: <http://www.bocentech.com>

DATE: 2014-08-05



SPECIFICATIONS:

- | | |
|---------------------------|-------------------------------------|
| 1. DISPLAY TYPE: | STN / BLUE / NEGATIVE/ TRANSMISSIVE |
| 2. DRIVE IC: | IST3020 |
| 3. OPERATING VOLTAGE: | Vop=9.8V; Vdd=3V |
| 4. OPERATING TEMPERATURE: | -20°C ~ +70°C |
| 5. STORAGE TEMPERATURE: | -30°C ~+80°C |
| 6. DRIVE MODE: | 1/65DUTY, 1/9BIAS |
| 7. VIEWING ANGLE: | 12 O'CLOCK |
| 8. BACKLIGHT: | 5PCS white LED; IF=75mA; VF=3.3V |
| 9. CUSTOMER PART NO.: | BOCEN STANDARD PRODUCT |

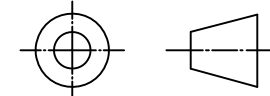
BOCEN DISPLAY TECHNOLOGY CO., LTD.

DESIGNED BY: Shawn

BG19264-01

VERSION: 1.0

CHECKED BY: William



NO.: 1 OF 3

APPROVED BY: Rio

UNIT: mm

Website: <http://www.bocentech.com>

DATE: 2014-08-05