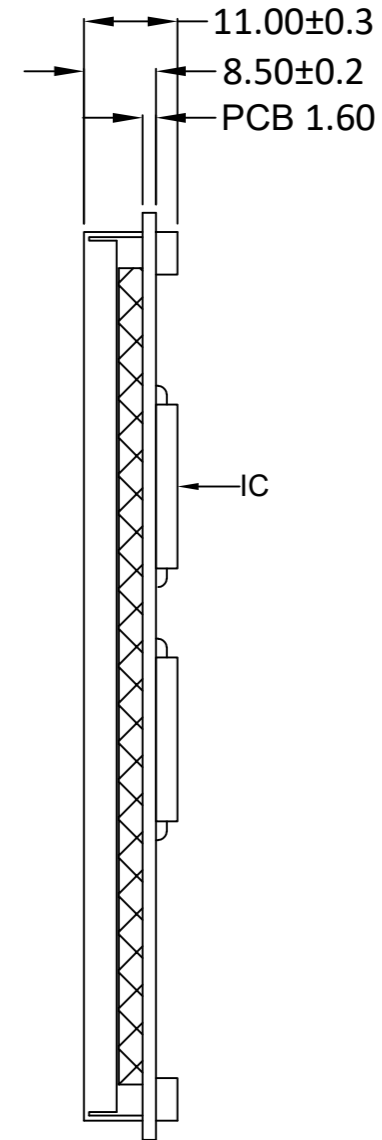
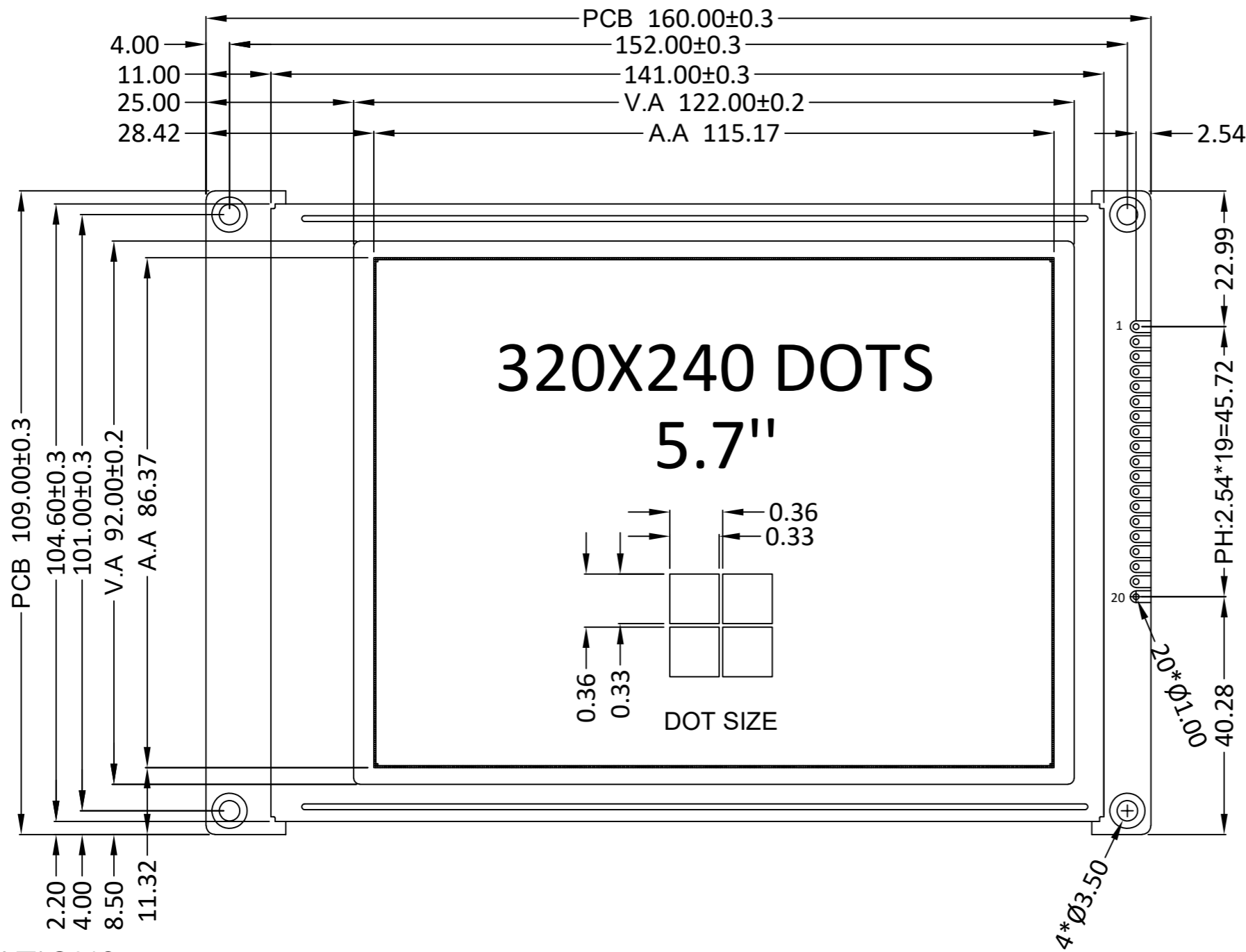


Revised Record

1.0 2013-10-8 New Issue



PIN	SYMBOL
1	VSS
2	VCC(5V)
3	V0
4	/WR
5	/RD
6	/CS
7	A0
8	/RES
9	DB0
10	DB1
11	DB2
12	DB3
13	DB4
14	DB5
15	DB6
16	DB7
17	LEDA
18	VEE
19	LEDA
20	LEDK

**SPECIFICATIONS:**

- |                           |                                     |
|---------------------------|-------------------------------------|
| 1. DISPLAY TYPE:          | STN / NEGATIVE (BLUE) / TRANSMISIVE |
| 2. DRIVE IC:              | RA8835 or EQV.                      |
| 3. OPERATING VOLTAGE:     | VOP=23V, VDD = 5.0V                 |
| 4. OPERATING TEMPERATURE: | -20 ~ 70°C                          |
| 5. STORAGE TEMPERATURE:   | -30 ~ 80°C                          |
| 6. DRIVE MODE:            | 1/240 DUTY, 1/17 BIAS               |
| 7. VIEWING ANGLE:         | 6 O'CLOCK                           |
| 8. BACKLIGHT:             | WHITE LED, I = 160mA                |
| 9. CUSTOMER PART NO.:     | BOCEN STANDARD PRODUCT              |

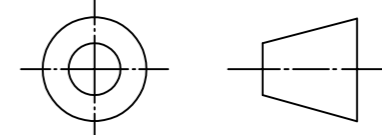
**BOCEN DISPLAY TECHNOLOGY CO., LTD.**

DESIGNED BY: Shawn

**BB320240-08**

VERSION: 1.0

CHECKED BY: William



NO.: 1 OF 1

APPROVED BY: Rio

UNIT: mm

Website: <http://www.bocentech.com>

DATE: 2013-10-8