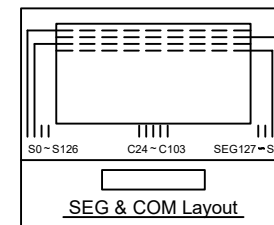
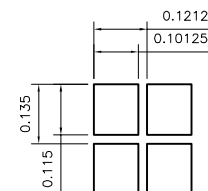
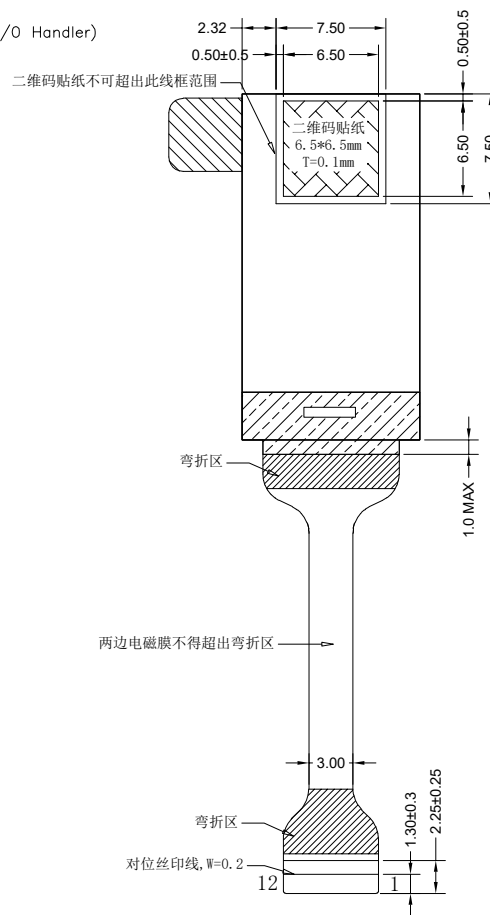
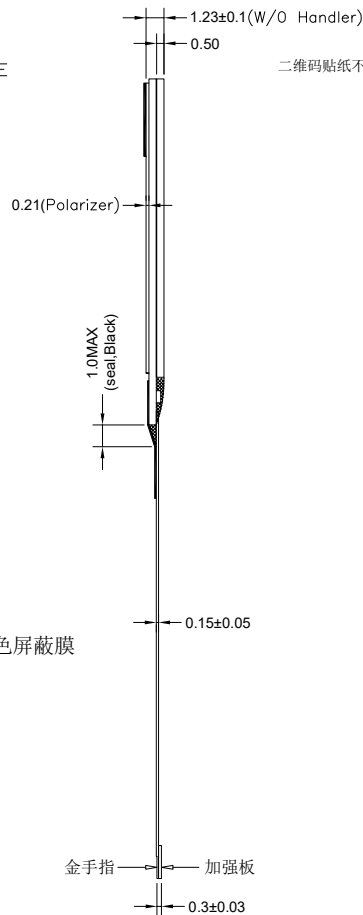
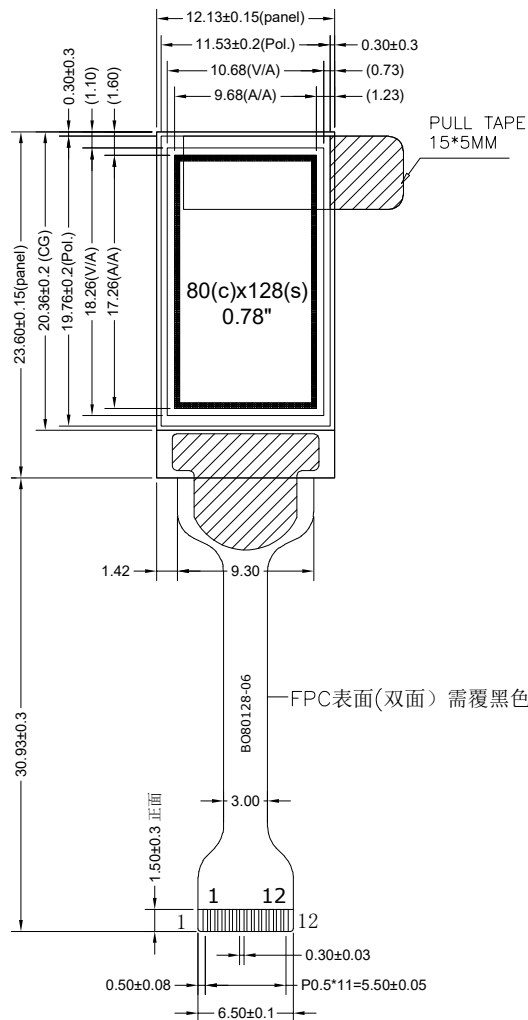


Revised Record

1.0 2021-8-6 New Issue



PIN	SYMBOL
1	NC
2	VPP_9V
3	VCOMH
4	VDD_3.3V
5	IM1
6	IREF
7	CS
8	RES
9	DC
10	SCL
11	SDA
12	VSS

**SPECIFICATIONS:**

- |                       |                        |
|-----------------------|------------------------|
| 1. DISPLAY TYPE:      | OLED                   |
| 2. DISPLAY SIZE:      | 0.78"                  |
| 3. COLOR:             | WHITE                  |
| 4. DOT MATRIX:        | 80x128                 |
| 5. DRIVE IC:          | SH1107                 |
| 6. CUSTOMER PART NO.: | BOCEN STANDARD PRODUCT |

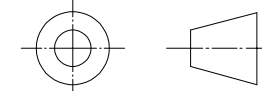
**BOCEN DISPLAY TECHNOLOGY CO., LTD.**

DESIGNED BY: Shawn

**BO80128-06**

VERSION: 1.0

CHECKED BY: William



NO.: 1 OF 1

APPROVED BY: Rio

UNIT: mm

Company Website: <http://www.bocentech.com>

DATE: 2021-8-6