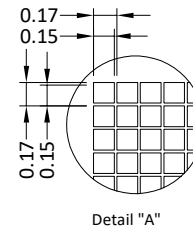
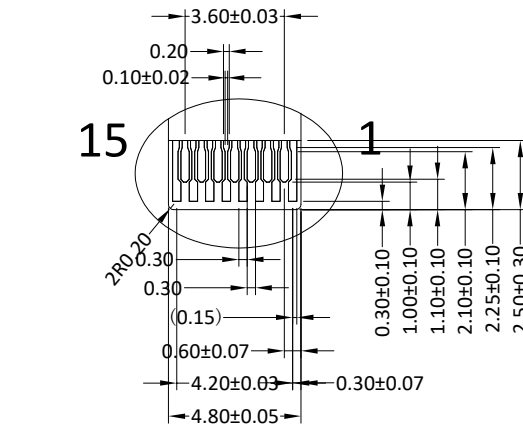
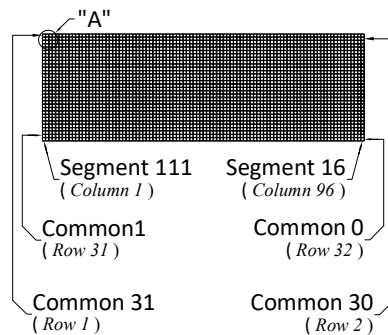


FH26W-15S-0.3SHW
SCALE A



PIN	SYMBOL
1	C2P
2	C2N
3	C1P
4	C1N
5	VBAT
6	VSS
7	VDD
8	CS#
9	RES#
10	D/C#
11	SCLK
12	SDIN
13	IREF
14	VCOMH
15	VCC

SPECIFICATIONS:

- | | |
|-----------------------|----------------------------|
| 1. DISPLAY TYPE: | 0.68" OLED / 96X32 / WHITE |
| 2. VOLTAGE: | VDD=3.0V |
| 3. CURRENT INTERFACE: | SPI-4 |
| 4. TEMPERATURE: | OPT -20~70°C, STR -30~80°C |
| 5. VIEWING ANGLE: | IPS |
| 6. DRIVE IC: | SSD1306 |
| 7. CUSTOMER PART NO.: | BOCEN STANDARD PRODUCT |

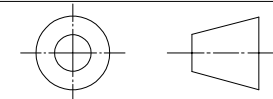
BOCEN DISPLAY TECHNOLOGY CO., LTD.

DESIGNED BY: Shawn

BO9632-01

VERSION: 1.0

CHECKED BY: William



NO.: 1 OF 1

APPROVED BY: Rio

UNIT: mm

Website: <http://www.bocentech.com>

DATE: 2020-11-12