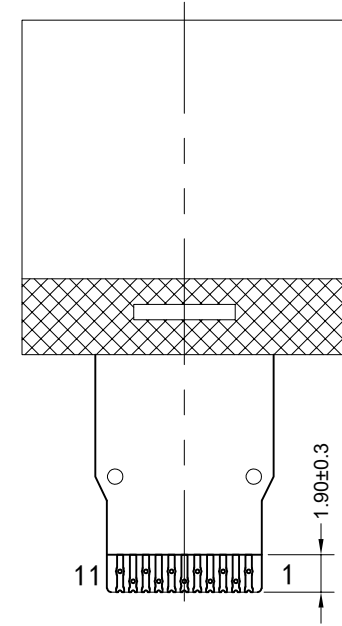
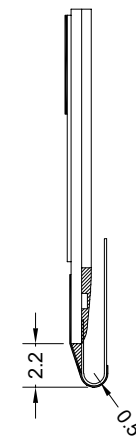
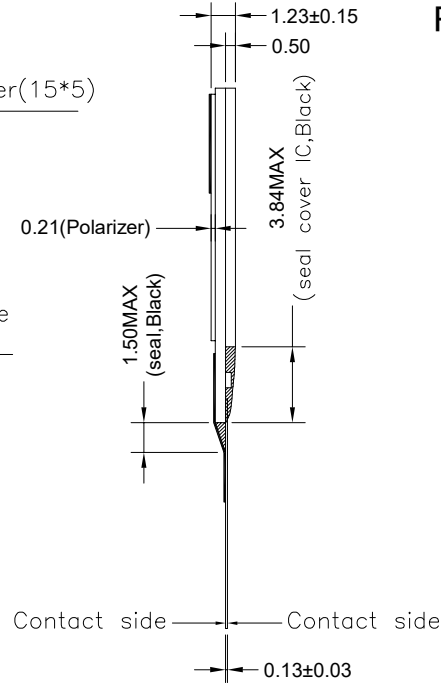
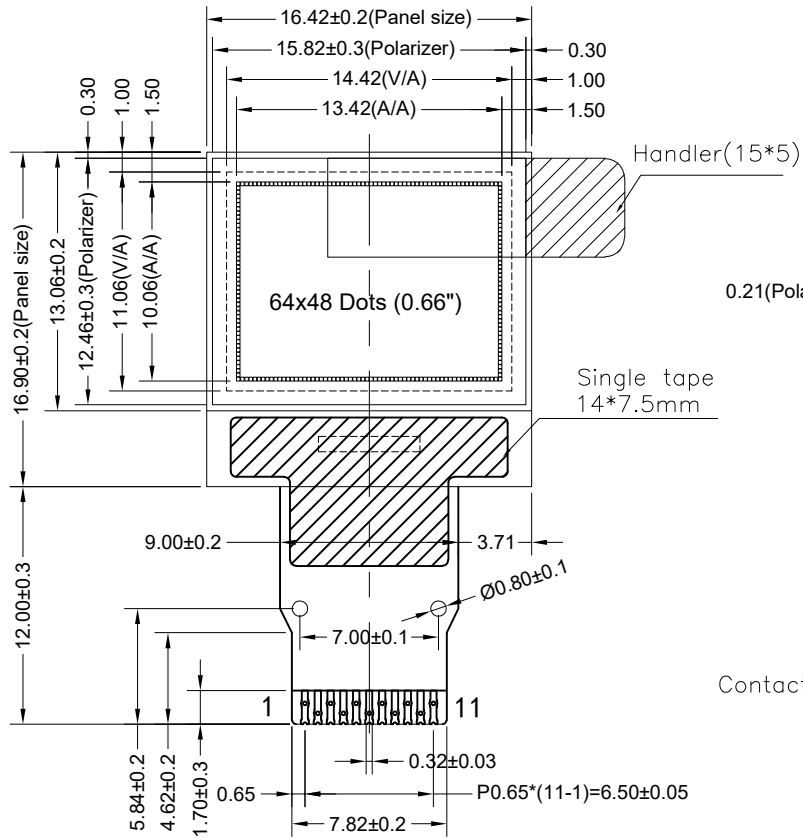
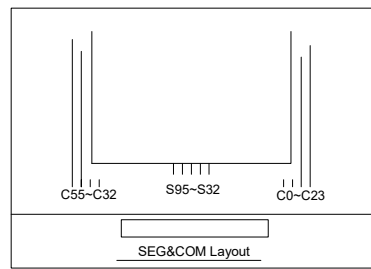


Revised Record

1.0 2021-4-26 New Issue

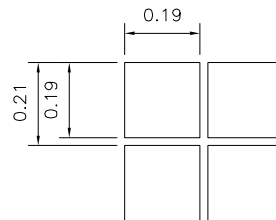


PIN	SYMBOL
1	C2P
2	C2N
3	C1P
4	C1N
5	VDD & VBAT
6	VSS
7	RES#
8	SCL
9	SDA
10	VCOMH
11	VCC



SPECIFICATIONS:

- | | |
|-----------------------|------------------------|
| 1. DISPLAY TYPE: | OLED |
| 2. DISPLAY SIZE: | 0.66" |
| 3. COLOR: | WHITE |
| 4. DOT MATRIX: | 64x48 |
| 5. DRIVE IC: | SSD1315 |
| 6. CUSTOMER PART NO.: | BOCEN STANDARD PRODUCT |



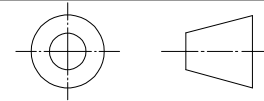
BOCEN DISPLAY TECHNOLOGY CO., LTD.

DESIGNED BY: Shawn

BO6448-27

VERSION: 1.0

CHECKED BY: William



NO.: 1 OF 1

APPROVED BY: Rio

UNIT: mm

Company Website: <http://www.bocentech.com>

DATE: 2021-4-26