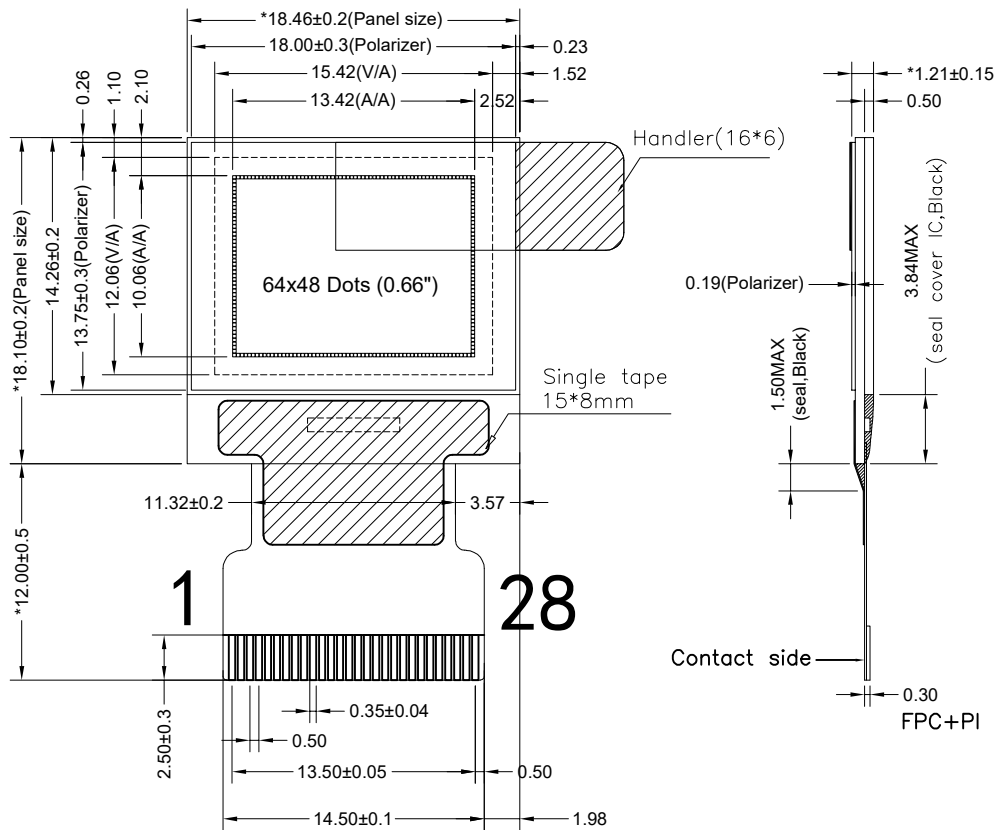
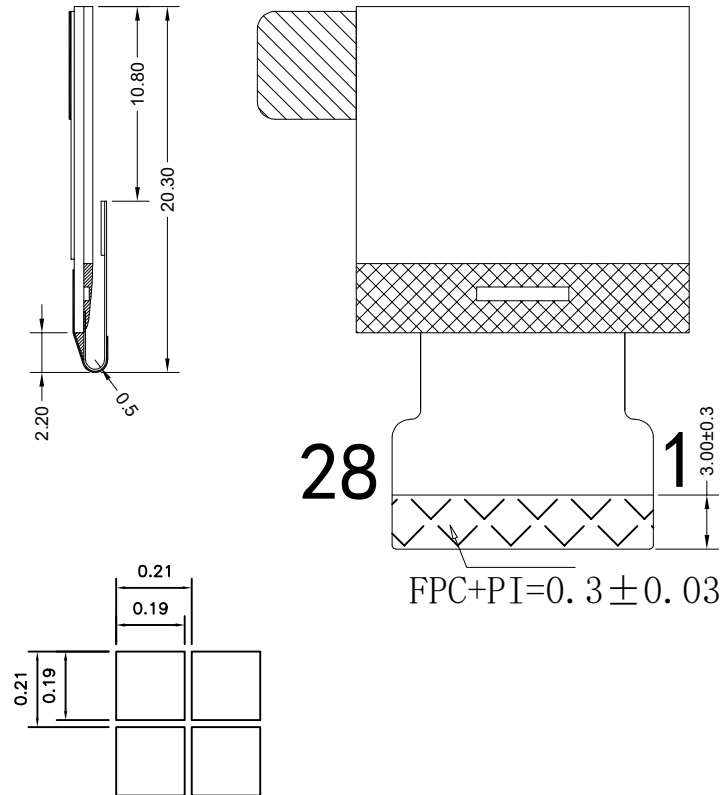


Revised Record

1.0 2021-5-31 New Issue



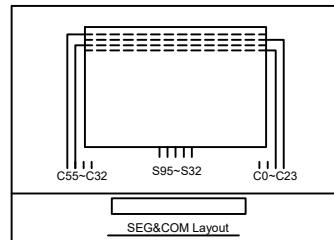
Reference Only



PIN	SYMBOL
1	N.C.(GND)
2	C2P
3	C2N
4	C1P
5	C1N
6	VBAT
7	VSS
8	VDD
9	BS1
10	BS2
11	CS#
12	RES#
13	D/C#
14	R/W#
15	E/RD#
16	D0
17	D1
18	D2
19	D3
20	D4
21	D5
22	D6
23	D7
24	IREF
25	VCOMH
26	VCC
27	VLSS
28	NC(GND)

**SPECIFICATIONS:**

- |                       |                        |
|-----------------------|------------------------|
| 1. DISPLAY TYPE:      | OLED                   |
| 2. DISPLAY SIZE:      | 0.66"                  |
| 3. COLOR:             | WHITE                  |
| 4. DOT MATRIX:        | 64x48                  |
| 5. DRIVE IC:          | SSD1306BZ              |
| 6. CUSTOMER PART NO.: | BOCEN STANDARD PRODUCT |



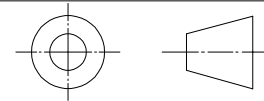
**BOCEN DISPLAY TECHNOLOGY CO., LTD.**

DESIGNED BY: Shawn

**BO6448-29**

VERSION: 1.0

CHECKED BY: William



NO.: 1 OF 1

APPROVED BY: Rio

UNIT: mm

Company Website: <http://www.bocentech.com>

DATE: 2021-5-31