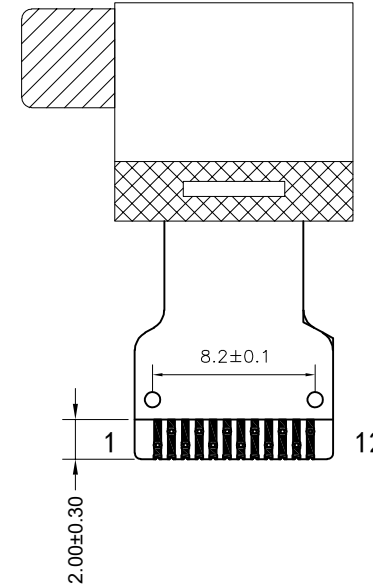
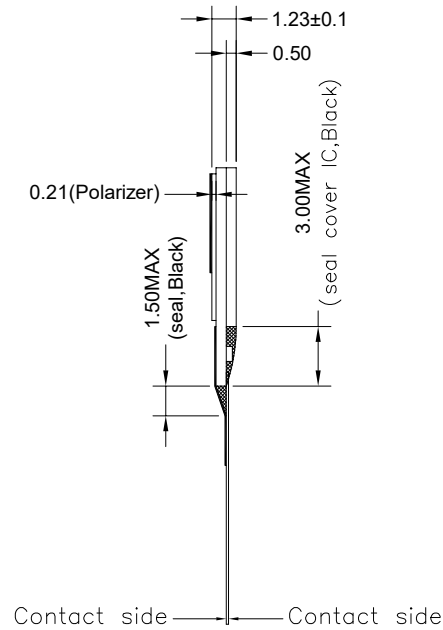
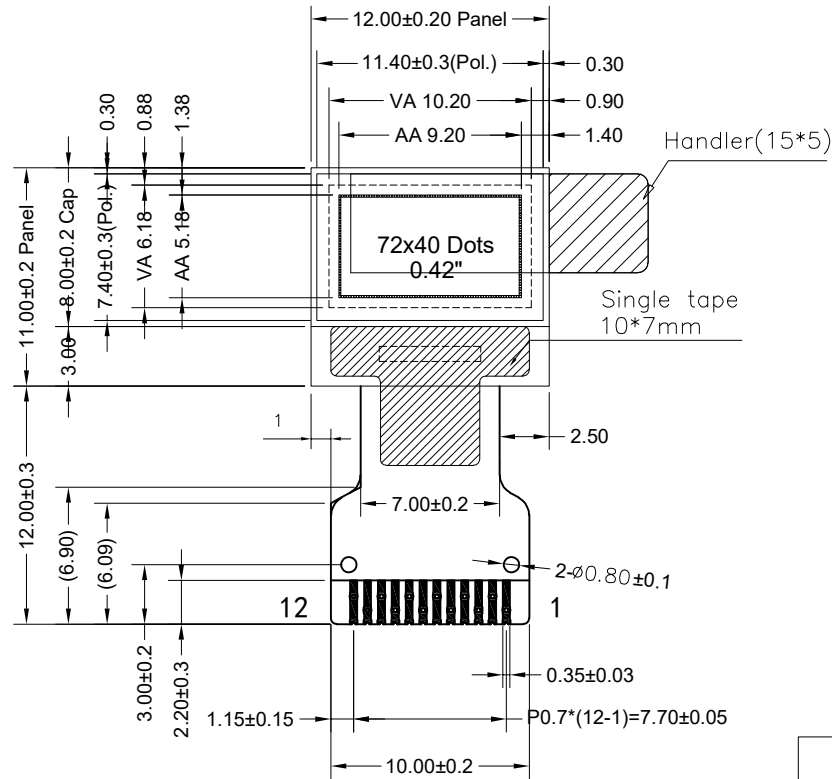
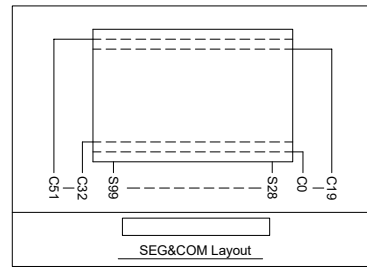


Revised Record

1.0 2017-10-11 New Issue

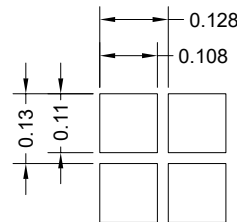


PIN	SYMBOL
1	VCC
2	VCOMH
3	D1(SDA)
4	D0(SCL)
5	RES#
6	VDD
7	VSS
8	Vddb
9	C1N
10	C1P
11	C2N
12	C2P



SPECIFICATIONS:

- | | |
|-----------------------|------------------------|
| 1. DISPLAY TYPE: | OLED |
| 2. DISPLAY SIZE: | 0.42" |
| 3. COLOR: | WHITE |
| 4. DOT MATRIX: | 72x40 |
| 5. DRIVE IC: | SSD1306BZ |
| 6. CUSTOMER PART NO.: | BOCEN STANDARD PRODUCT |



BOCEN DISPLAY TECHNOLOGY CO., LTD.

DESIGNED BY: Shawn	BO7240-00	VERSION: 1.0
CHECKED BY: William		NO.: 1 OF 1
APPROVED BY: Rio		UNIT: mm
Website: http://www.bocentech.com		DATE: 2017-10-11