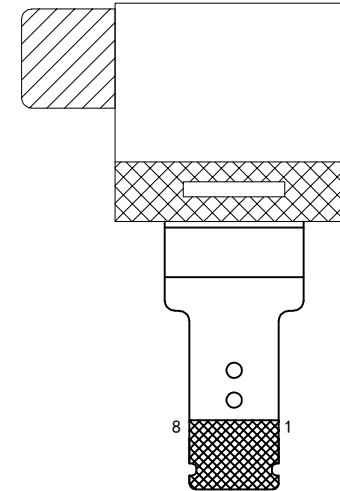
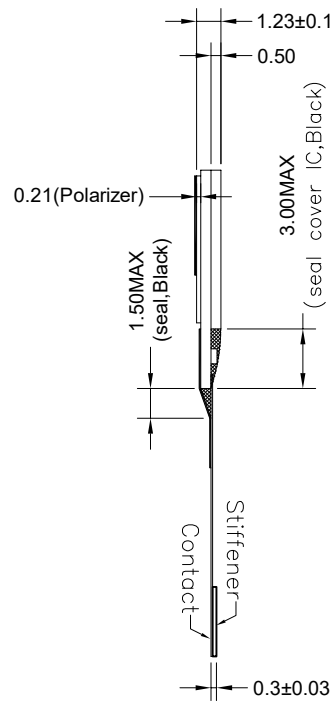
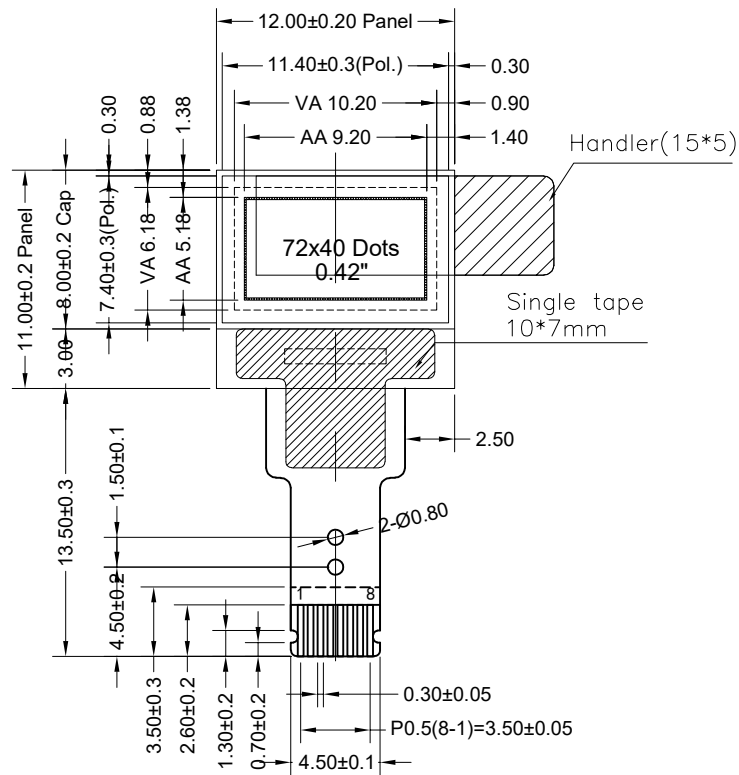
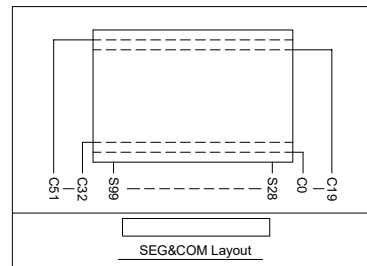


Revised Record

1.0 2017-10-11 New Issue

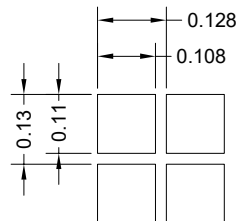


PIN	SYMBOL
1	VSS
2	VDD
3	RES
4	SCL
5	SDA
6	IREF
7	VCOMH
8	VCC



**SPECIFICATIONS:**

- |                       |                        |
|-----------------------|------------------------|
| 1. DISPLAY TYPE:      | OLED                   |
| 2. DISPLAY SIZE:      | 0.42"                  |
| 3. COLOR:             | WHITE                  |
| 4. DOT MATRIX:        | 72x40                  |
| 5. DRIVE IC:          | SSD1306BZ              |
| 6. CUSTOMER PART NO.: | BOCEN STANDARD PRODUCT |



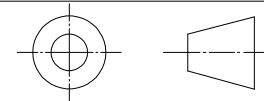
**BOCEN DISPLAY TECHNOLOGY CO., LTD.**

DESIGNED BY: Shawn

**BO7240-26**

VERSION: 1.0

CHECKED BY: William



NO.: 1 OF 1

APPROVED BY: Rio

UNIT: mm

Website: <http://www.bocentech.com>

DATE: 2017-10-11