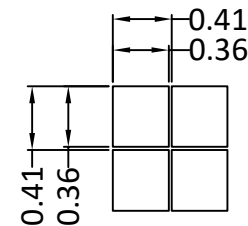
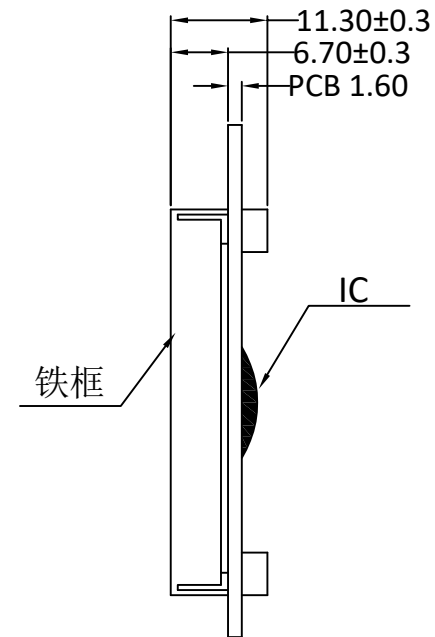
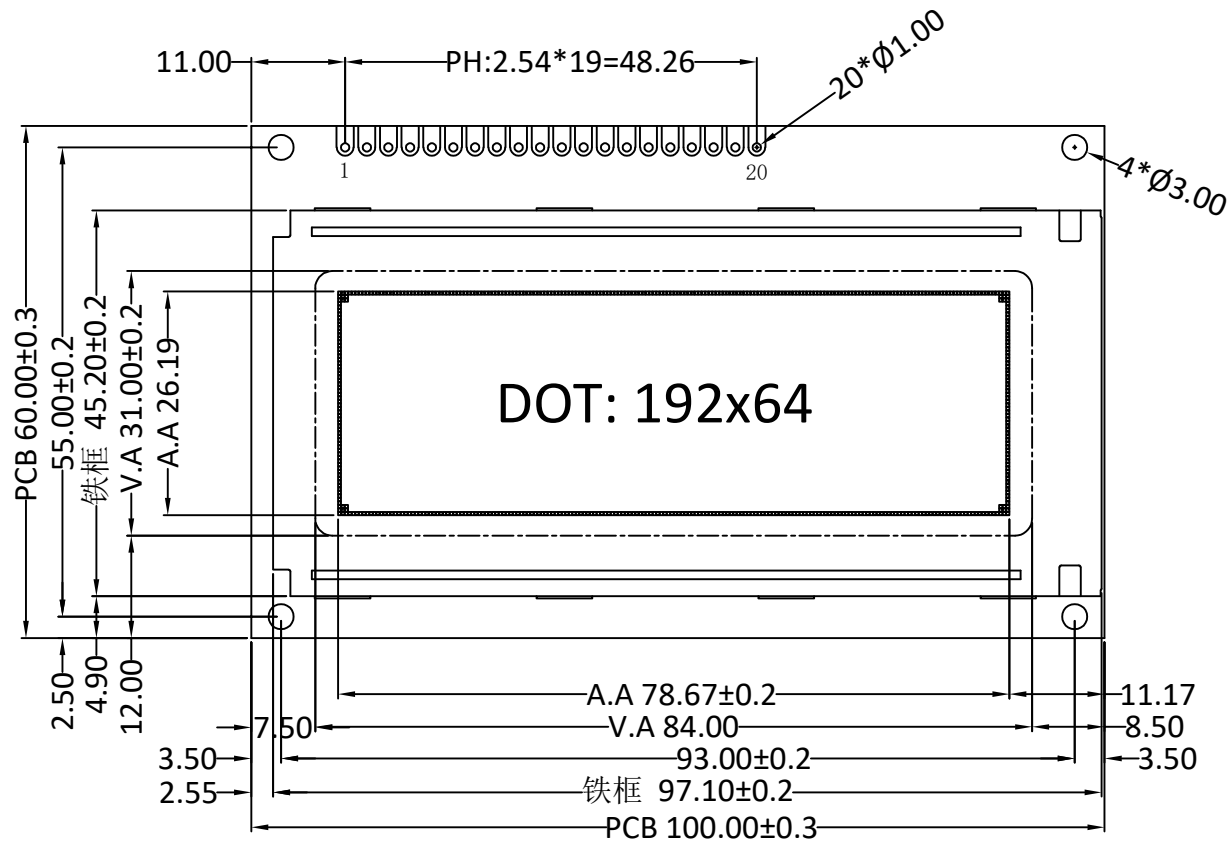


Revised Record

1.0 2011-11-12 New Issue



DOT SIZE:

PIN	SYMBOL
1	DB7
2	DB6
3	DB5
4	DB4
5	DB3
6	DB2
7	DB1
8	DB0
9	E
10	R/W
11	RS
12	V0
13	VDD(5V)
14	VSS
15	CSA
16	CSB
17	VEE
18	RST
19	LED-A(5V)
20	LED-K

SPECIFICATIONS:

- 1. DISPLAY TYPE: STN / NEGATIVE (BLUE) / TRANSMISSIVE
- 2. DRIVE IC: AIP31107, AIP31108 or EQV.
- 3. CONNECTOR: ZEBRA
- 4. OPERATING VOLTAGE: VOP = 12.5V, VDD = 5.0V
- 5. OPERATING TEMPERATURE: -20 ~ 70°C
- 6. STORAGE TEMPERATURE: -30 ~ 80°C
- 7. DRIVE MODE: 1/64 DUTY, 1/9 BIAS
- 8. VIEWING ANGLE: 6 O'CLOCK
- 9. BACKLIGHT: WHITE LED, I = 80mA
- 10. CUSTOMER PART NO.: BOCEN STANDARD PRODUCT

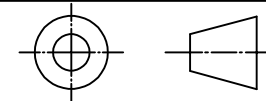
BOCEN DISPLAY TECHNOLOGY CO., LTD.

DESIGNED BY: Shawn

BB19264-04

VERSION: 1.0

CHECKED BY: William



NO.: 1 OF 1

APPROVED BY: Rio

UNIT: mm

Website: <http://www.bocentech.com>

DATE: 2011-11-12