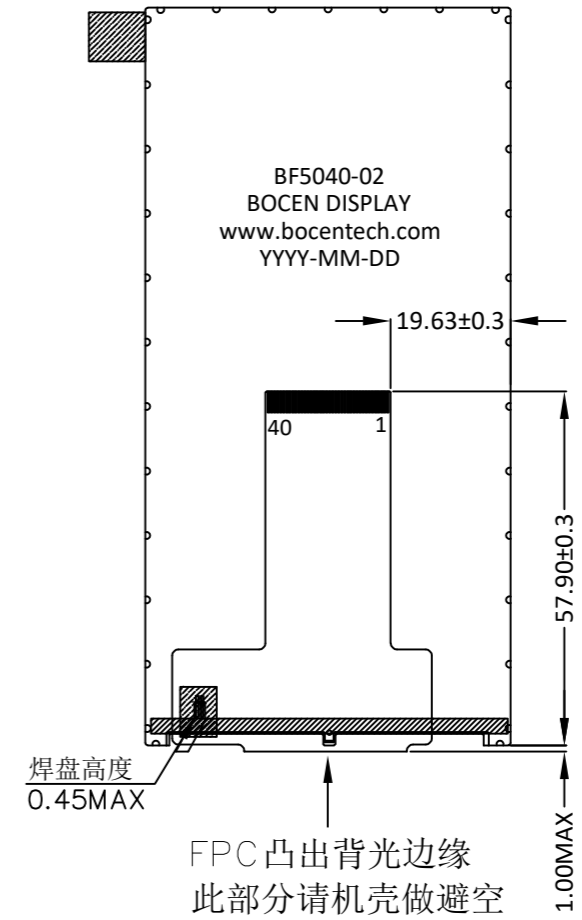
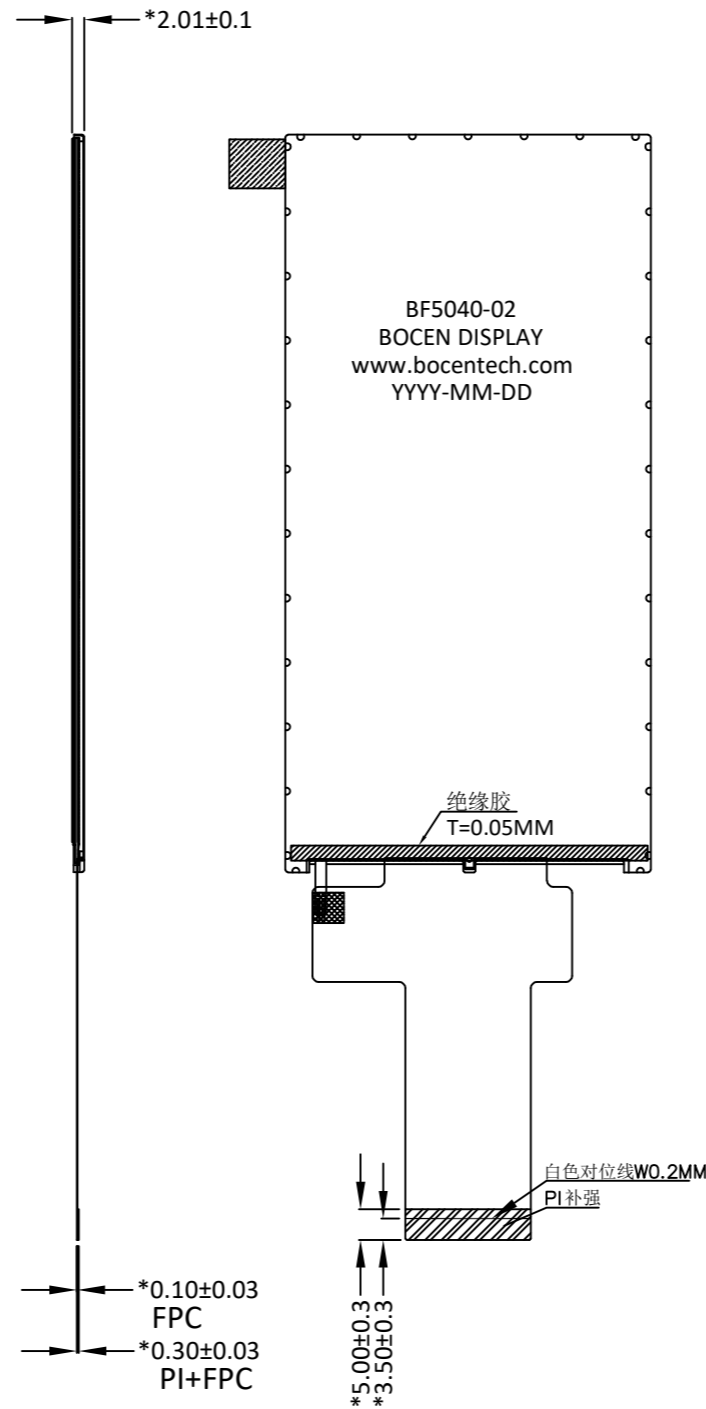
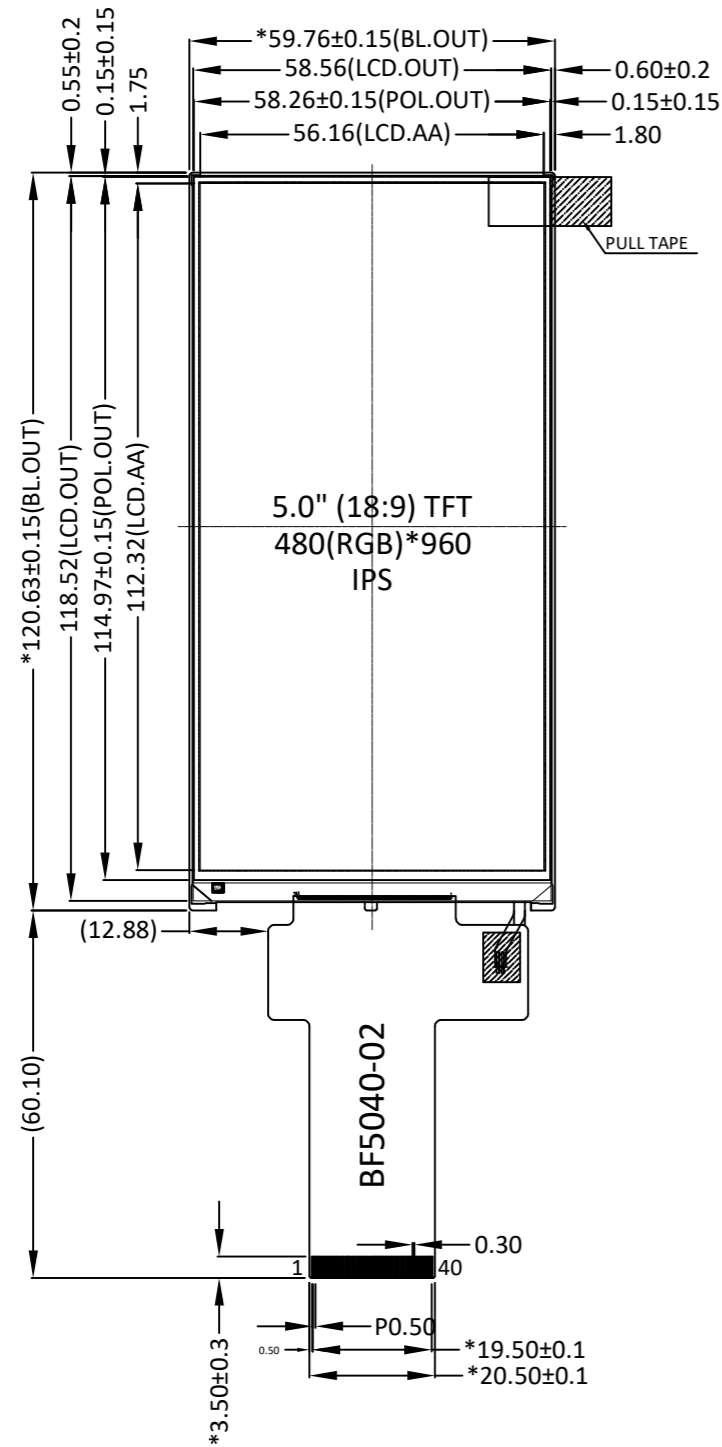


Revised Record

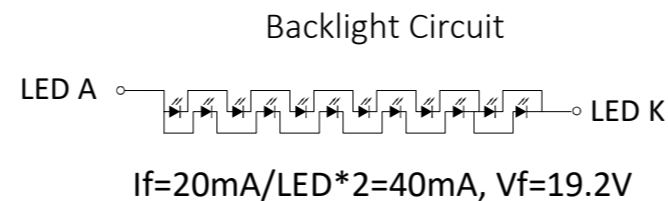
1.0 2021-12-29 New Issue



PIN	SYMBOL
1	GND
2	D0P
3	D0N
4	GND
5	D1P
6	D1N
7	GND
8	CLKP
9	CLKN
10	GND
11	D2P/NC
12	D2N/NC
13	GND
14	D3P/NC
15	D3N/NC
16	GND
17	GND
18	IOVCC 1.8V
19	IOVCC 1.8V
20	NC
21	NC
22	NC
23	NC
24	RESET
25	NC
26	NC
27	GND
28	LEDK
29	LEDK
30	GND
31	NC
32	GND
33	GND
34	NC
35	LEDA
36	LEDA
37	GND
38	VCI 3.3V
39	VCI 3.3V
40	NC

SPECIFICATIONS:

- 1. DISPLAY TYPE: 5.0" / IPS / 480x960
- 2. DRIVE IC: GC9503VC
- 3. OPERATING TEMPERATURE: -20 ~ 70°C
- 4. STORAGE TEMPERATURE: -30 ~ 80°C
- 5. VIEWING ANGLE: ALL
- 6. BACKLIGHT: LED / 40mA / 19.2V
- 7. CUSTOMER PART NO.: BOCEN STANDARD PRODUCT



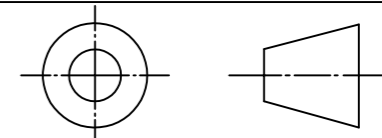
BOCEN DISPLAY TECHNOLOGY CO., LTD.

DESIGNED BY: Shawn

BF5040-02

VERSION: 1.0

CHECKED BY: William



NO.: 1 OF 1

APPROVED BY: Rio

UNIT: mm

Website: <http://www.bocentech.com>

DATE: 2021-12-29