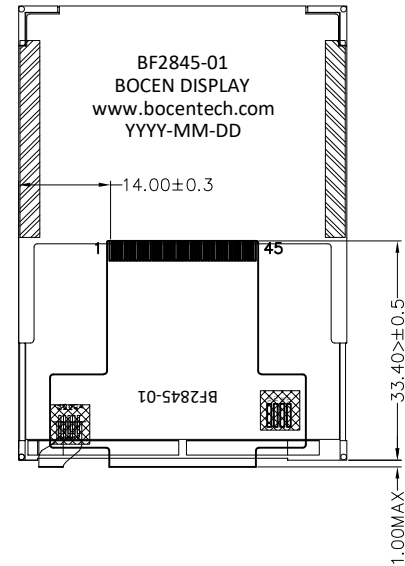
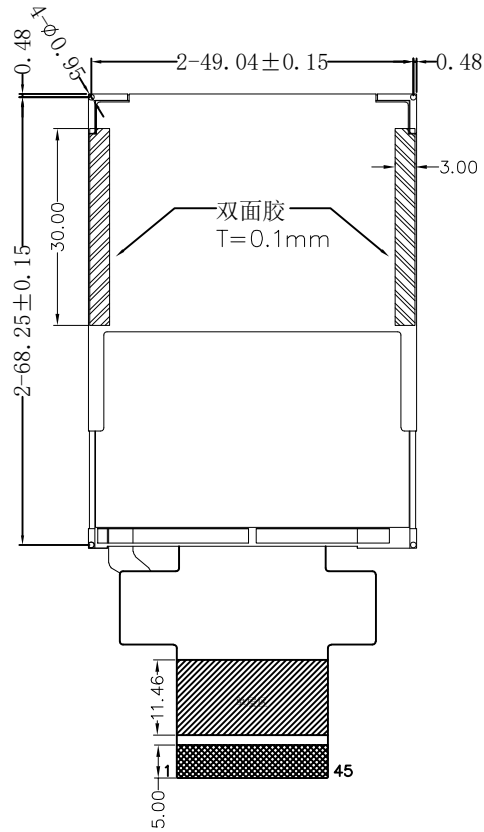
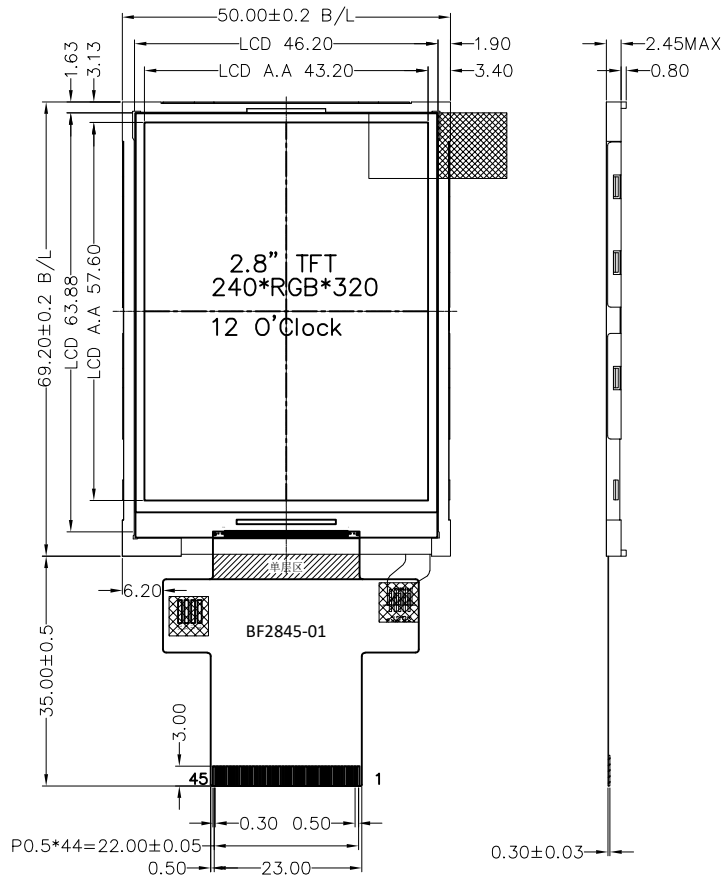


Revised Record

1.0 2022-1-17 New Issue

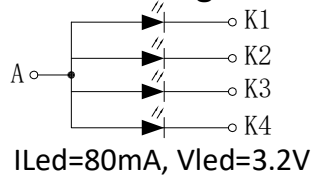


| PIN   | SYMBOL   |
|-------|----------|
| 1     | IM1      |
| 2     | IM2      |
| 3     | IM3      |
| 4     | IM0      |
| 5     | nCS      |
| 6     | RS       |
| 7     | nWR      |
| 8     | nRD      |
| 9     | nRESET   |
| 10    | SDI      |
| 11    | SDO      |
| 12-29 | DB17-DB0 |
| 30    | ENABLE   |
| 31    | DOTCLK   |
| 32    | VSYNC    |
| 33    | HSYNC    |
| 34    | LEDA     |
| 35-38 | LEDK1-K4 |
| 39    | X+(XR)   |
| 40    | Y+(YU)   |
| 41    | X-(XL)   |
| 42    | Y-(YD)   |
| 43    | GND      |
| 44    | GND      |
| 45    | VCC      |

**SPECIFICATIONS:**

- 1. DISPLAY TYPE: 2.8" TFT / QVGA
- 2. DRIVE IC: ST7789V2
- 3. OPERATING TEMPERATURE: -20 ~ 70°C
- 4. STORAGE TEMPERATURE: -30 ~ 80°C
- 5. VIEWING ANGLE: 12 O'CLOCK
- 6. BACKLIGHT: 4-LED / PARALLEL / 80mA
- 7. CUSTOMER PART NO.: BOCEN STANDARD PRODUCT

**Circuit diagram:**



I<sub>Led</sub>=80mA, V<sub>led</sub>=3.2V

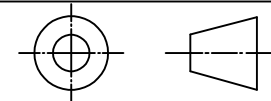
**BOCEN DISPLAY TECHNOLOGY CO., LTD.**

DESIGNED BY: Shawn

**BF2845-01**

VERSION: 1.0

CHECKED BY: William



NO.: 1 OF 1

APPROVED BY: Rio

UNIT: mm

Website: <http://www.bocentech.com>

DATE: 2022-1-17