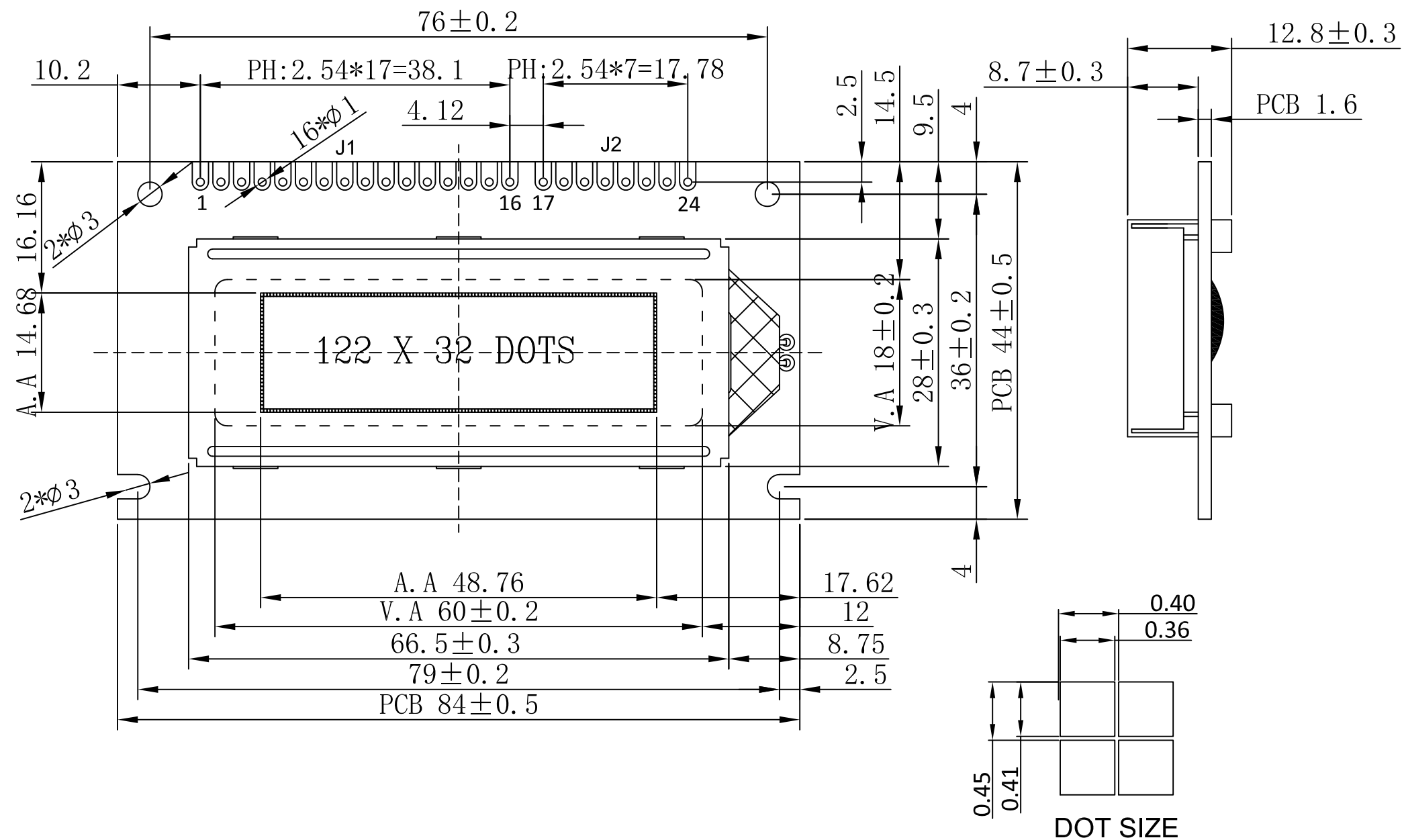


Revised Record

1.0 2011-7-29 New Issue



INTERFACE:			
J1(Parallel)		J2(Serial)	
1	VSS	17	VSS
2	VDD(5V)	18	VDD(5V)
3	VO	19	VO
4	RS	20	SCLK
5	/RW	21	SID
6	E	22	CS
7	DB0	23	LED-A(5V)
8	DB1	24	LED-K
9	DB2		
10	DB3		
11	DB4		
12	DB5		
13	DB6		
14	DB7		
15	LED-A(5V)		
16	LED-K		

SPECIFICATIONS:

- | | |
|---------------------------|---------------------------------------|
| 1. DISPLAY TYPE: | STN / NEGATIVE (BLUE) / TRANSMISSIIVE |
| 2. DRIVE IC: | ST7920 or EQV. |
| 3. CONNECTOR: | ZEBRA |
| 4. OPERATING VOLTAGE: | VOP = 4.8 V, VDD = 5.0V |
| 5. OPERATING TEMPERATURE: | -20 ~ 70°C |
| 6. STORAGE TEMPERATURE: | -30 ~ 80°C |
| 7. DRIVE MODE: | 1/32 DUTY, 1/5 BIAS |
| 8. VIEWING ANGLE: | 6 O'CLOCK |
| 9. BACKLIGHT: | WHITE LED, I = 20mA |
| 10. CUSTOMER PART NO.: | BOCEN STANDERD PRODUCT |

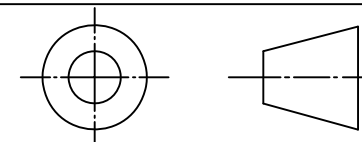
BOCEN DISPLAY TECHNOLOGY CO., LTD.

DESIGNED BY: Shawn

BB12232-05

VERSION: 1.0

CHECKED BY: William



NO.: 1 OF 1

APPROVED BY: Rio

UNIT: mm

Website: <http://www.bocentech.com>

DATE: 2011-7-29