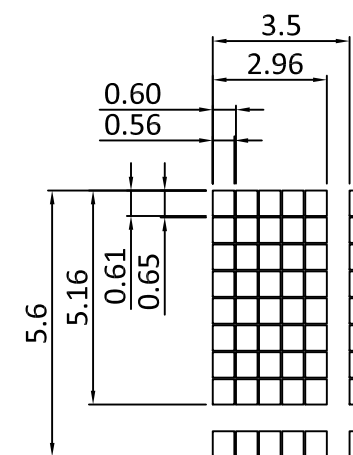


INTERFACE	
1	VSS
2	VDD(5V)
3	V0
4	RS
5	RW
6	E
7	DB0
8	DB1
9	DB2
10	DB3
11	DB4
12	DB5
13	DB6
14	DB7
15	LED-K
16	LED-A(5V)



DOT SIZE:

### SPECIFICATIONS:

- |                           |                                      |
|---------------------------|--------------------------------------|
| 1. DISPLAY TYPE:          | STN / NEGATIVE (BLUE) / TRANSMISSIVE |
| 2. DRIVE IC:              | AIP31066 or EQV.                     |
| 3. CONNECTOR:             | ZEBRA                                |
| 4. OPERATING VOLTAGE:     | VOP = 5.0 V, VDD = 5.0V              |
| 5. OPERATING TEMPERATURE: | -20 ~ 70°C                           |
| 6. STORAGE TEMPERATURE:   | -30 ~ 80°C                           |
| 7. DRIVE MODE:            | 1/16 DUTY, 1/5 BIAS                  |
| 8. VIEWING ANGLE:         | 6 O'CLOCK                            |
| 9. BACKLIGHT:             | WHITE LED, I = 20mA                  |
| 10. CUSTOMER PART NO.:    | BOCEN STANDERD PRODUCT               |

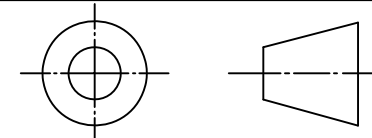
## BOCEN DISPLAY TECHNOLOGY CO., LTD.

DESIGNED BY: Shawn

**BB1602-05**

VERSION: 1.0

CHECKED BY: William



NO.: 1 OF 1

APPROVED BY: Rio

UNIT: mm

Website: <http://www.bocentech.com>

DATE: 2011-7-11