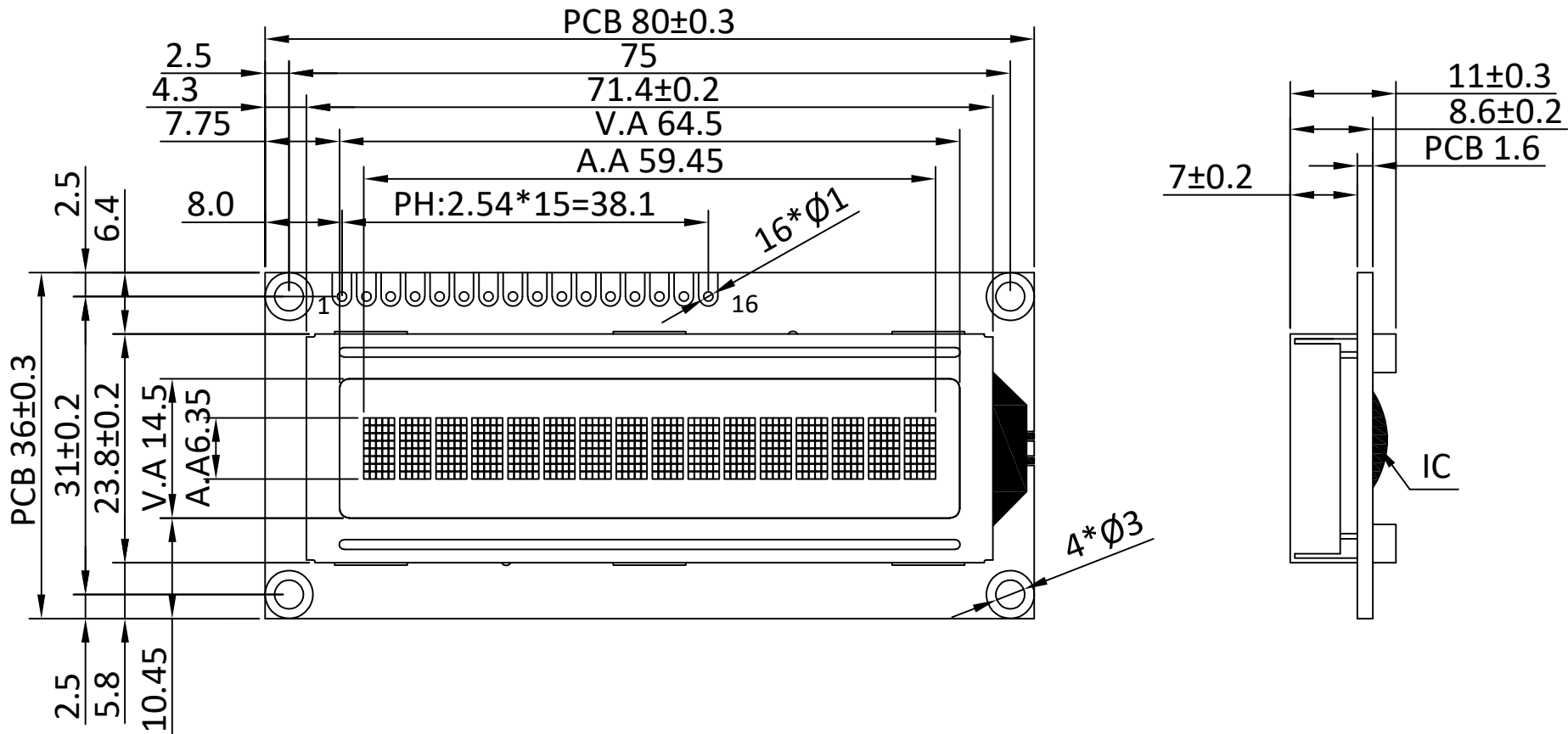


Revised Record

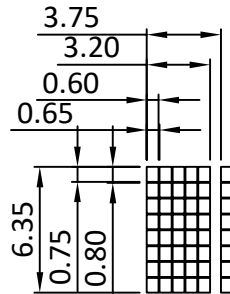
1.0 2016-8-15 New Issue



PIN	SYMBOL
1	VSS
2	VDD(5V)
3	V0
4	RS
5	RW
6	E
7	DB0
8	DB1
9	DB2
10	DB3
11	DB4
12	DB5
13	DB6
14	DB7
15	LED-A(5V)
16	LED-K

**SPECIFICATIONS:**

- 1. DISPLAY TYPE: STN / NEGATIVE (BLUE) / TRANSMISSIVE
- 2. DRIVE IC: AIP31066 or EQV.
- 3. CONNECTOR: ZEBRA
- 4. OPERATING VOLTAGE: VOP = 4.7 V, VDD = 5.0V
- 5. OPERATING TEMPERATURE: -20 ~ 70°C
- 6. STORAGE TEMPERATURE: -30 ~ 80°C
- 7. DRIVE MODE: 1/16 DUTY, 1/5 BIAS
- 8. VIEWING ANGLE: 6 O'CLOCK
- 9. BACKLIGHT: WHITE LED, I = 20mA
- 10. CUSTOMER PART NO.: BOCEN STANDARD PRODUCT



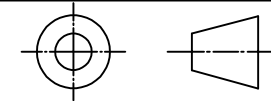
**BOCEN DISPLAY TECHNOLOGY CO., LTD.**

DESIGNED BY: Shawn

**BB1601-01**

VERSION: 1.0

CHECKED BY: William



NO.: 1 OF 1

APPROVED BY: Rio

UNIT: mm

Website: <http://www.bocentech.com>

DATE: 2016-8-15